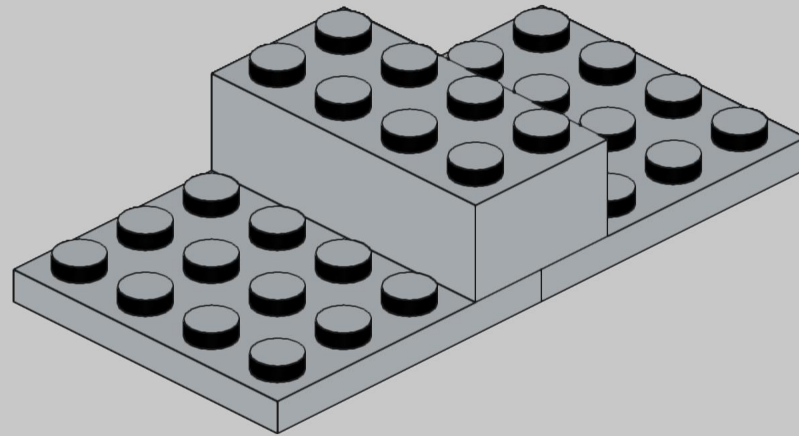
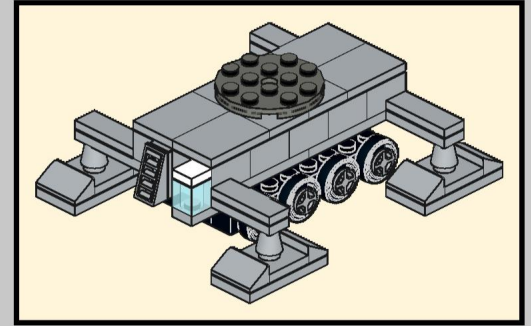
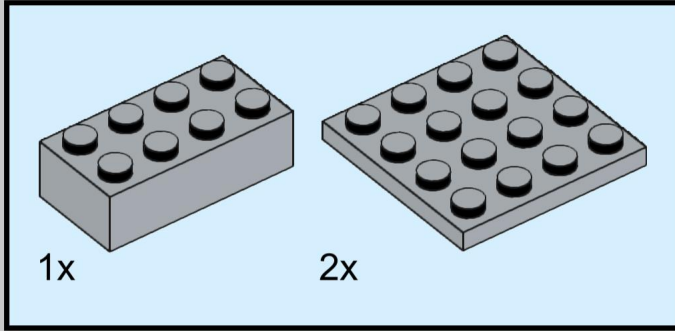


CERTUS
AUTOMATION

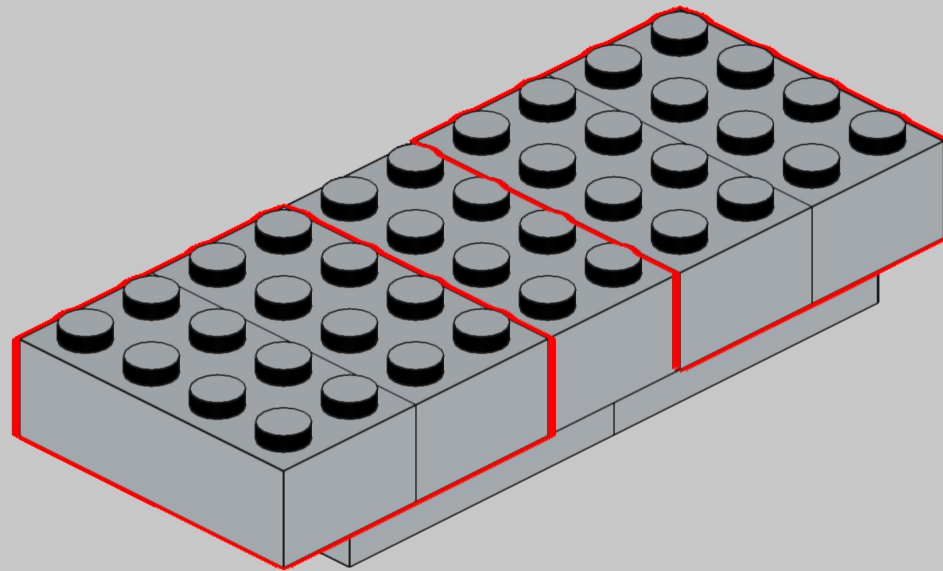
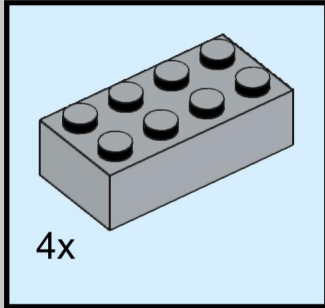


CERTUS MOBILE CRANE

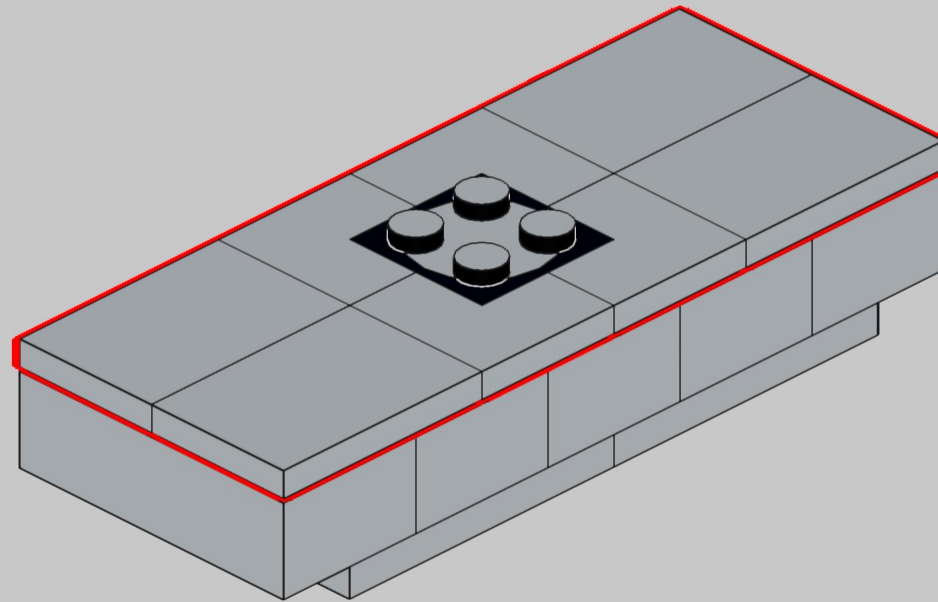
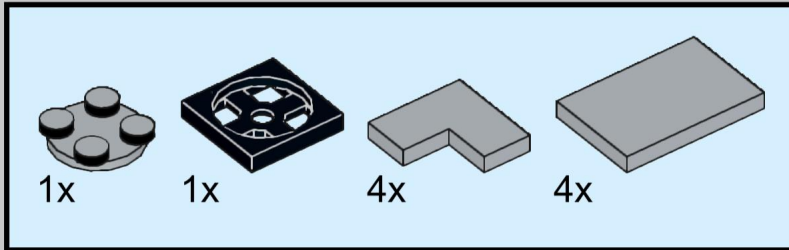
1



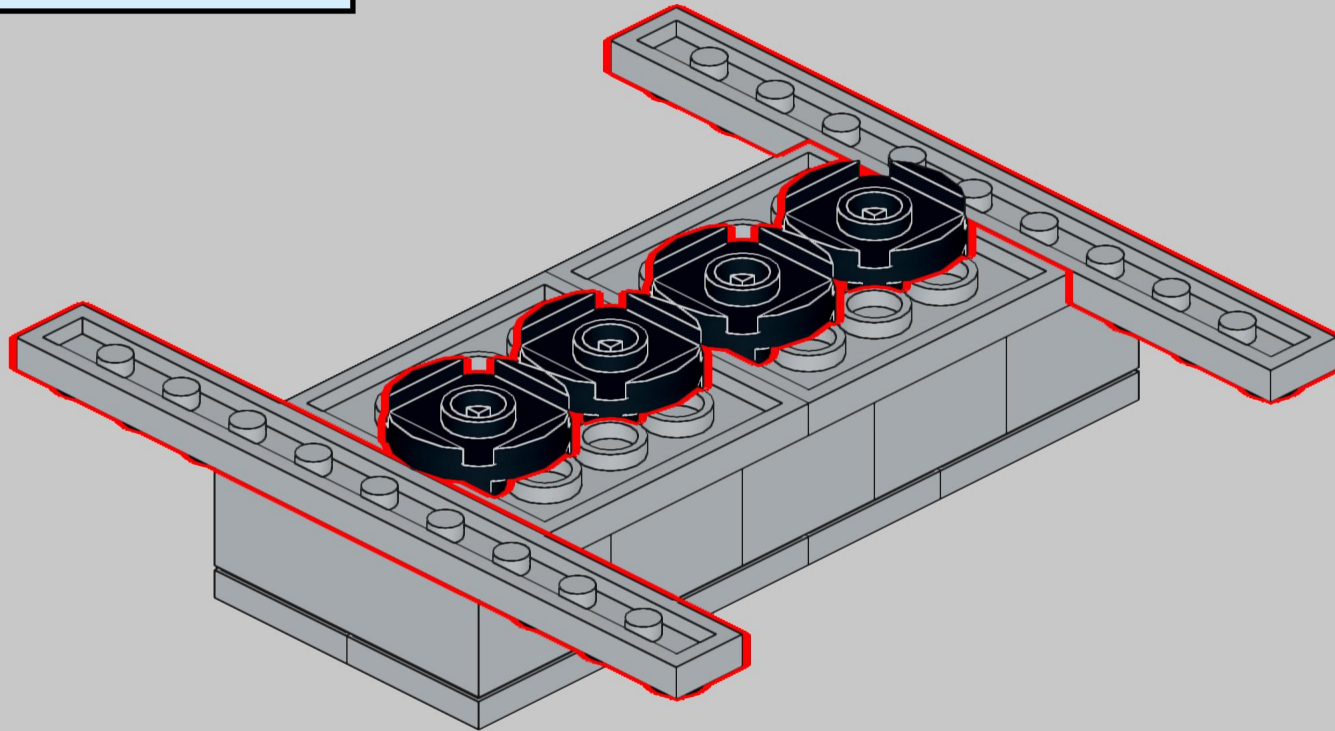
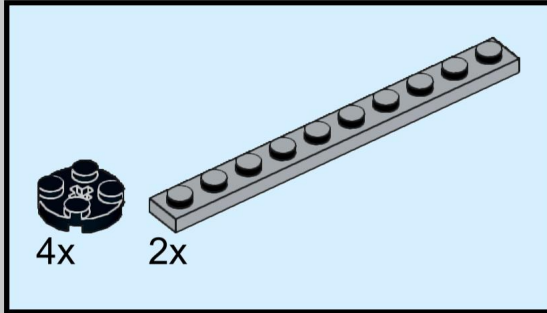
2



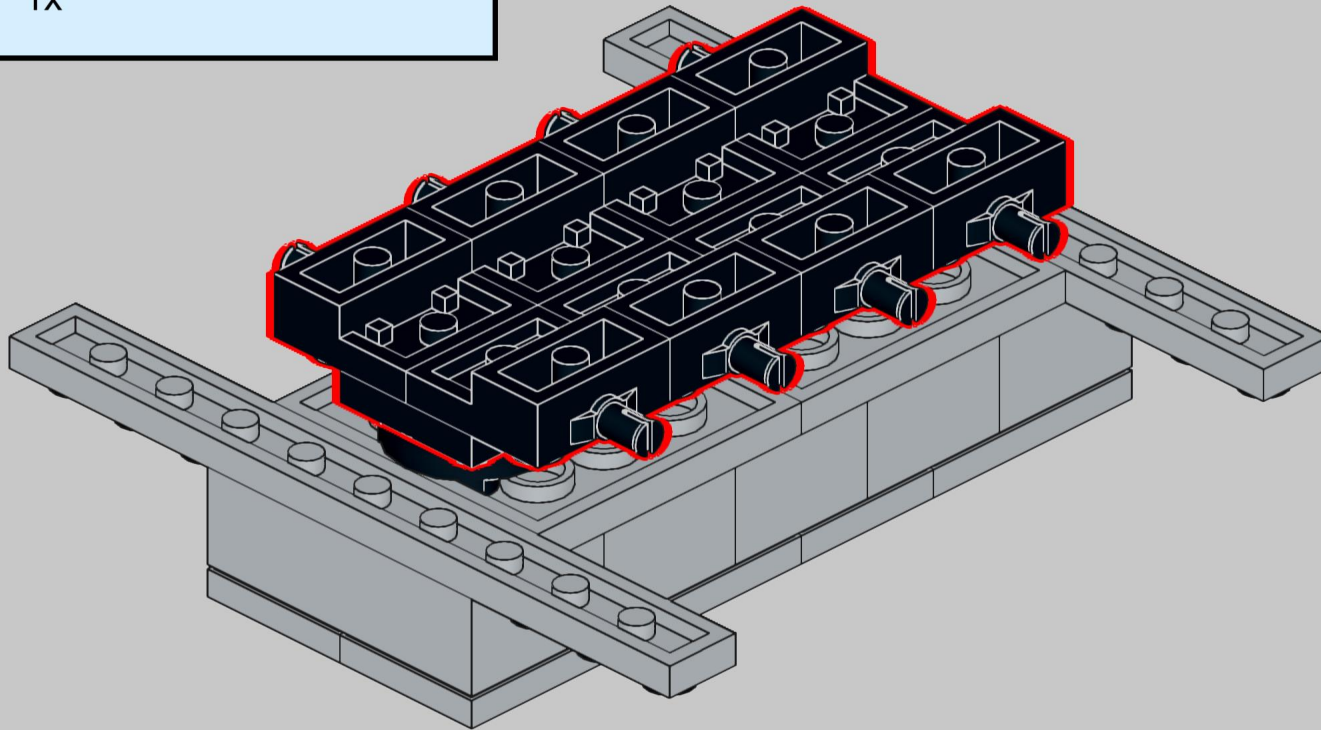
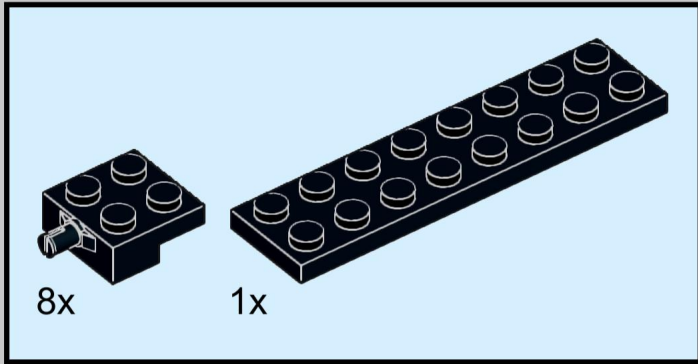
3



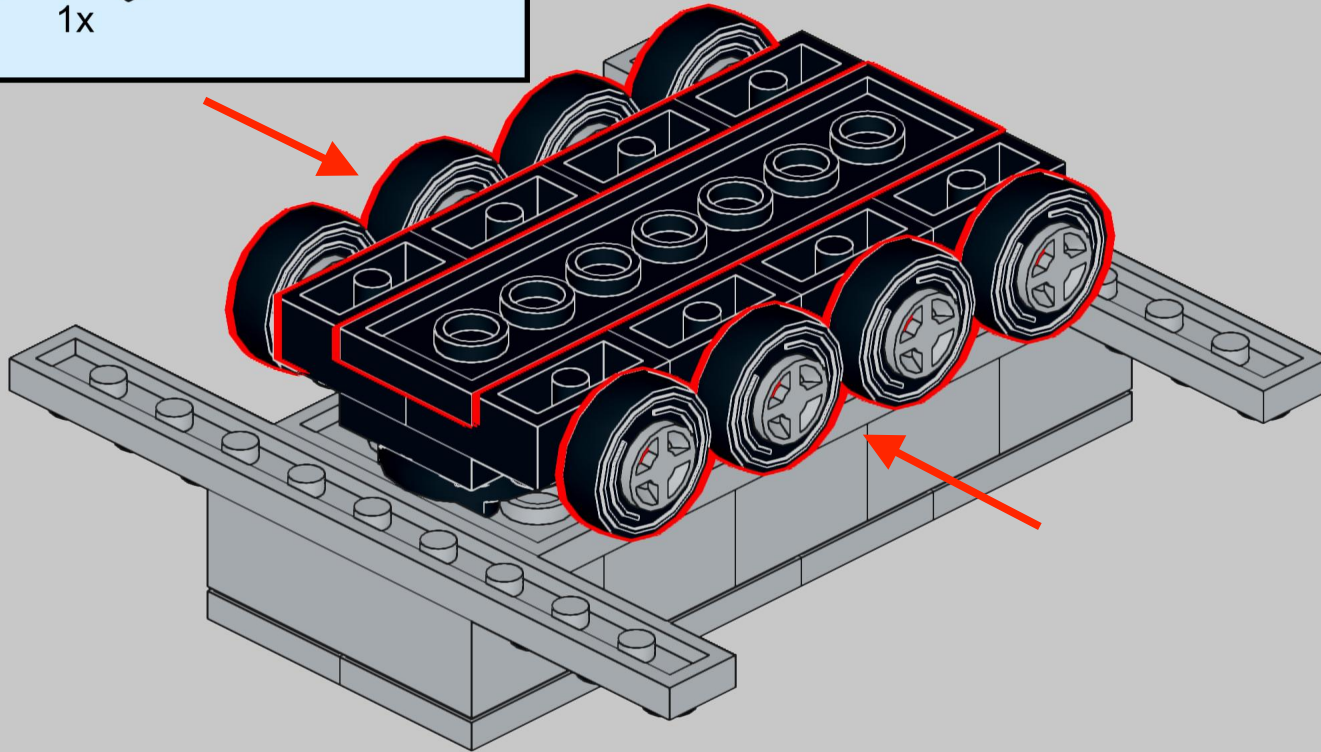
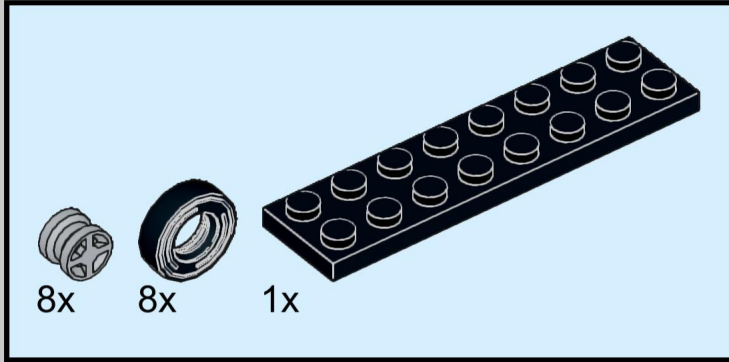
4



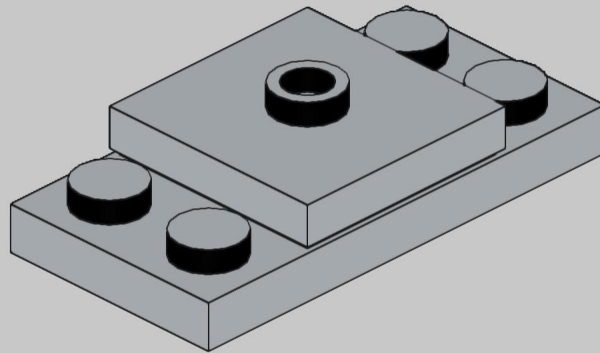
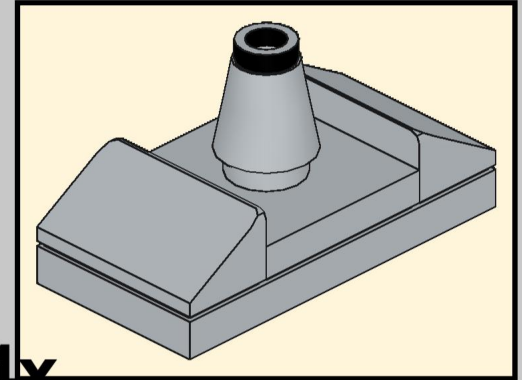
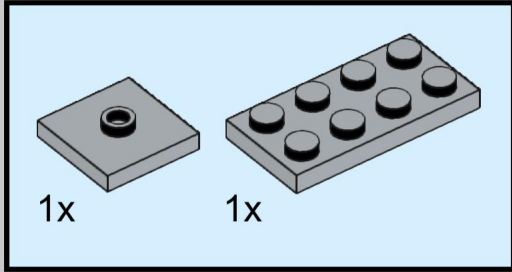
5



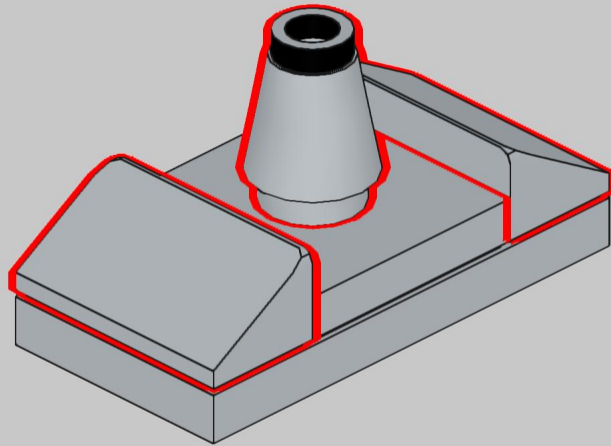
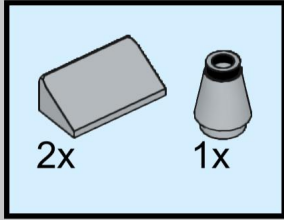
6



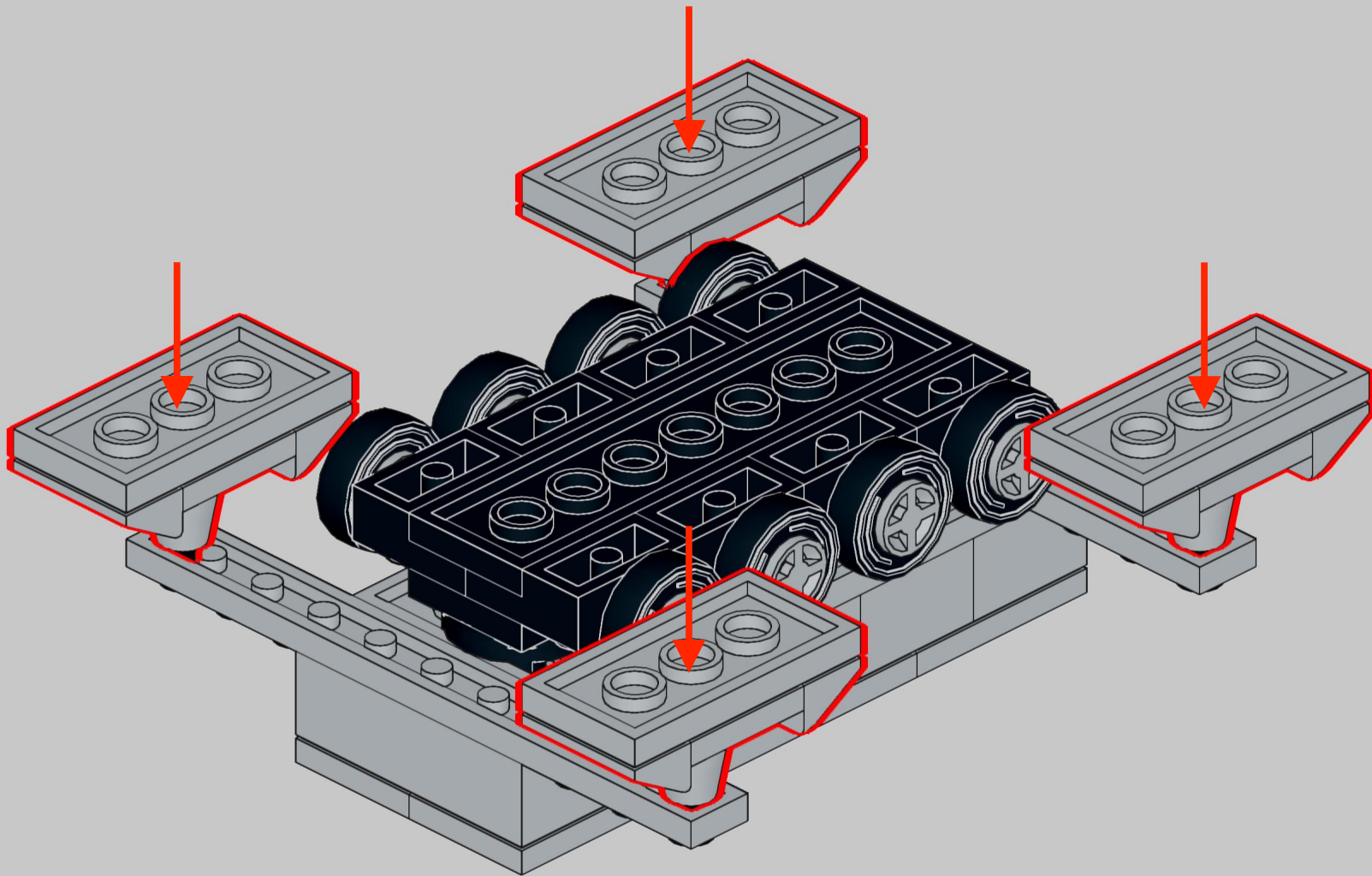
7



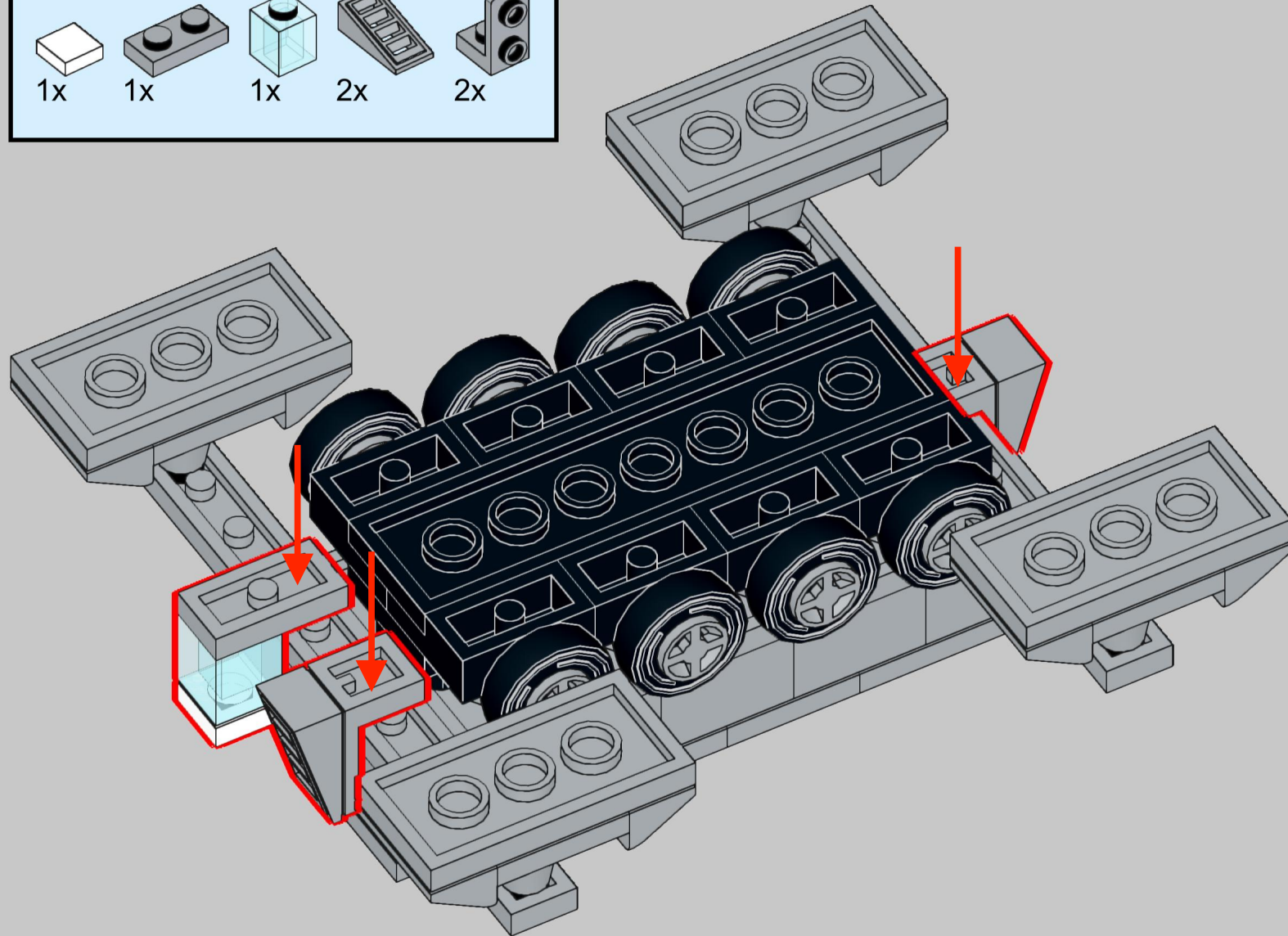
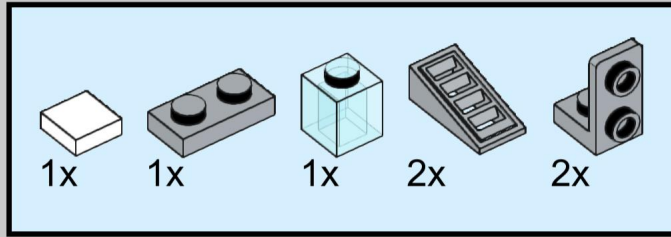
8



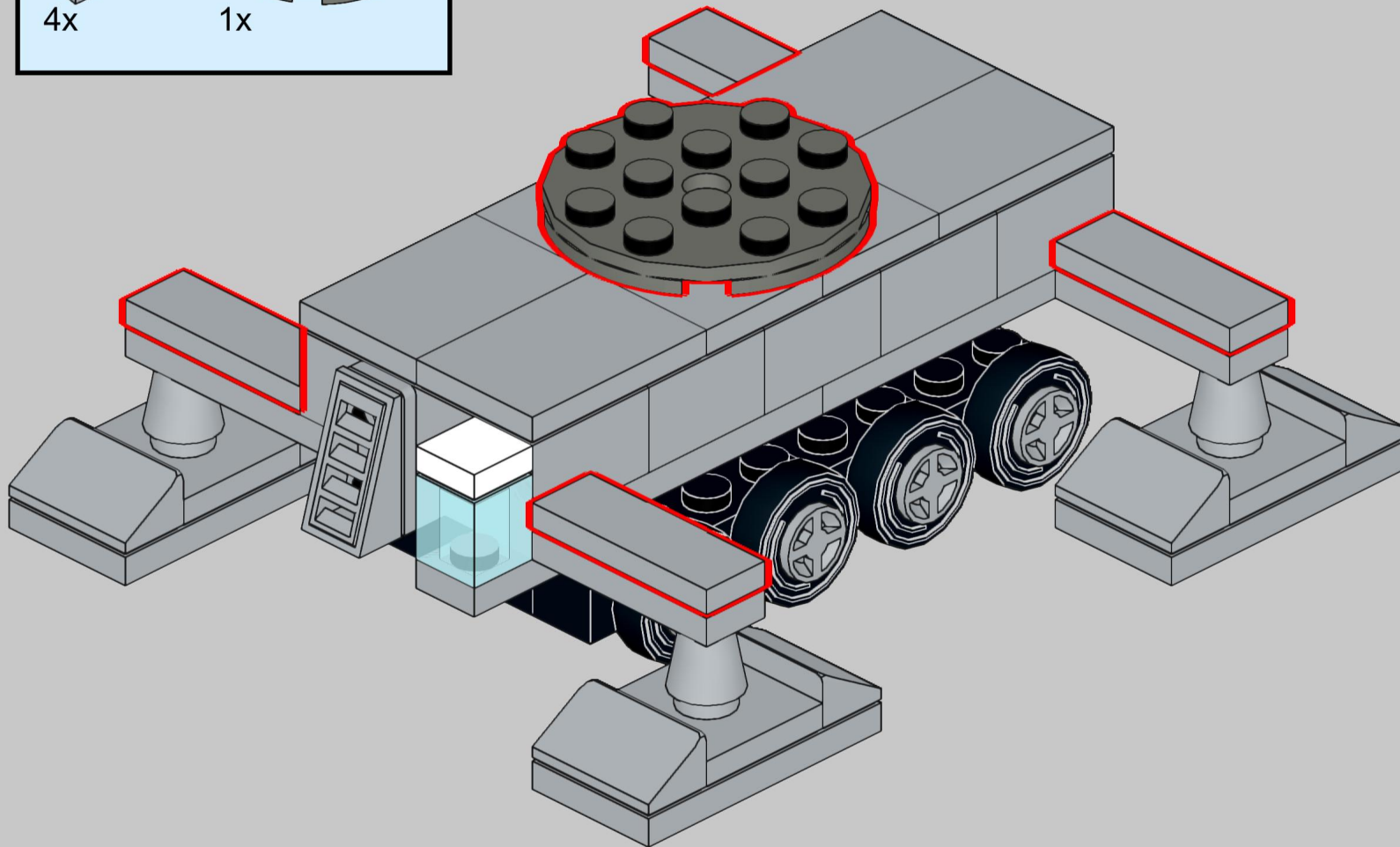
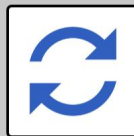
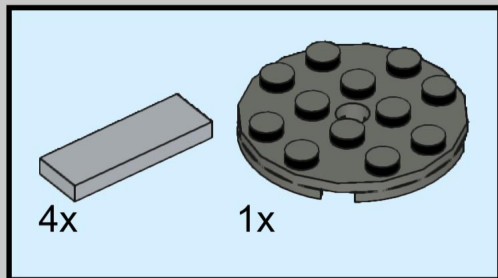
9



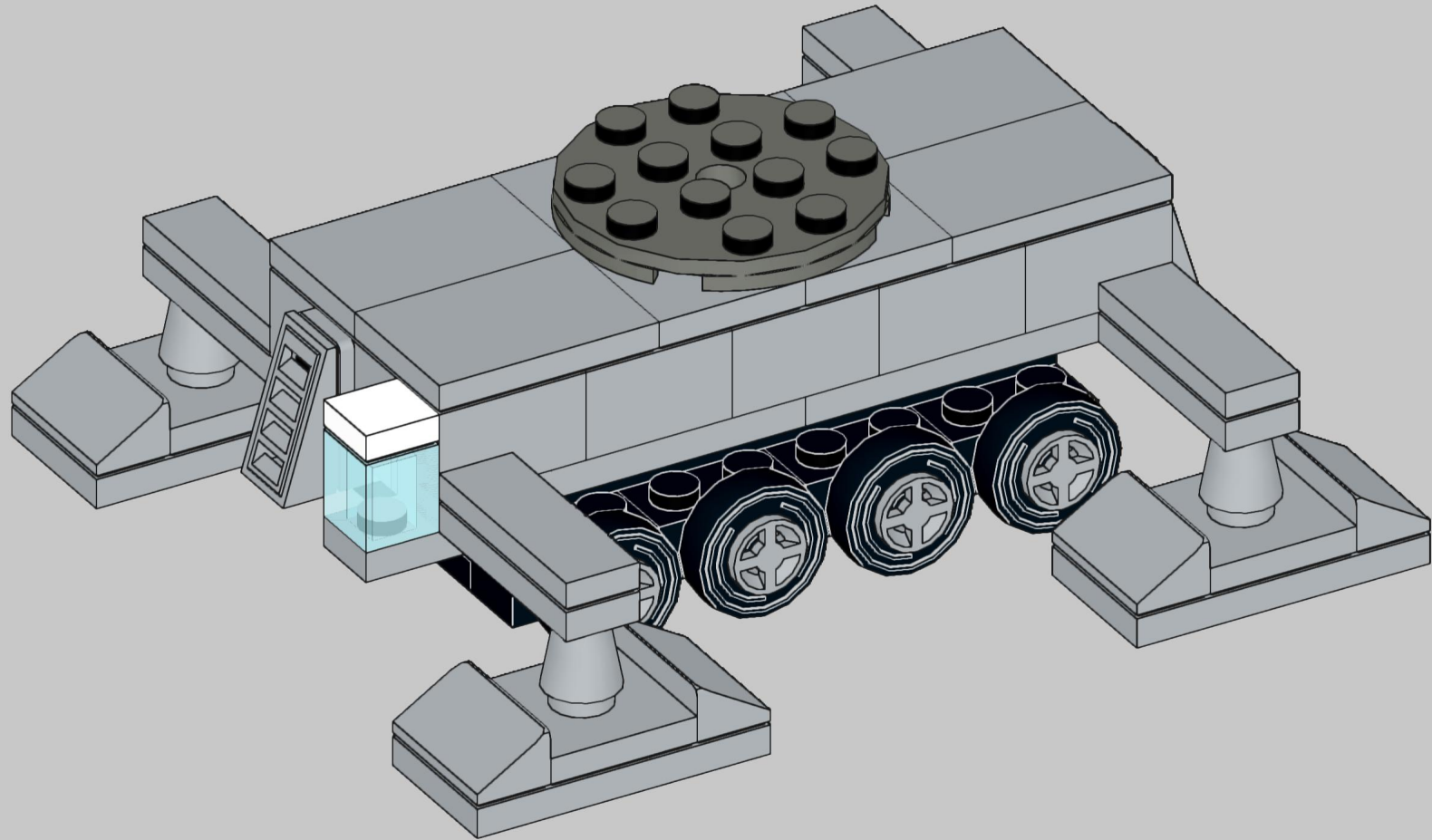
10



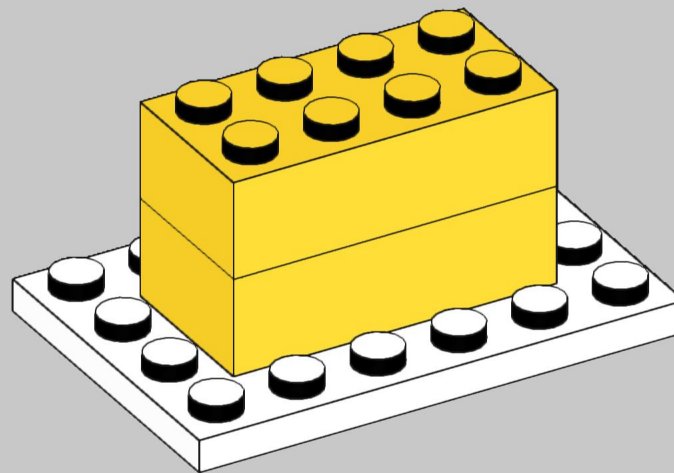
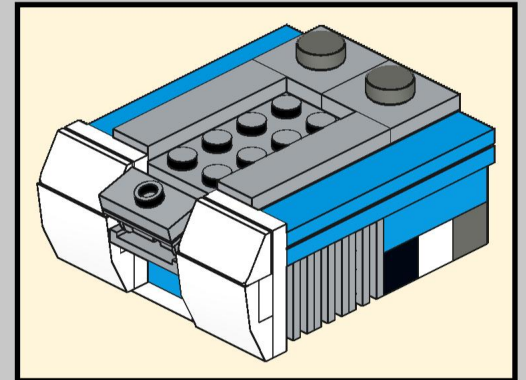
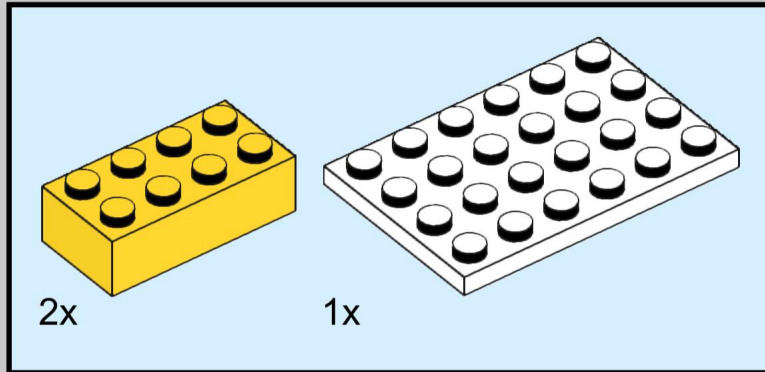
11



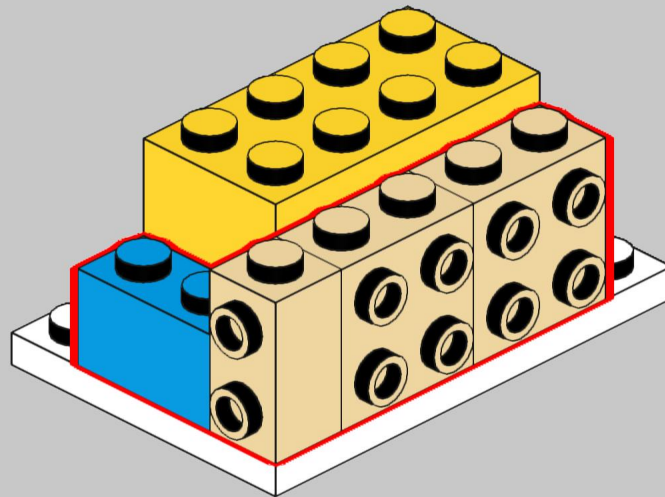
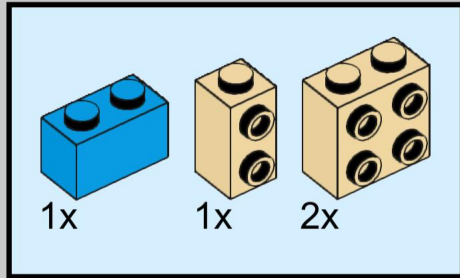
12



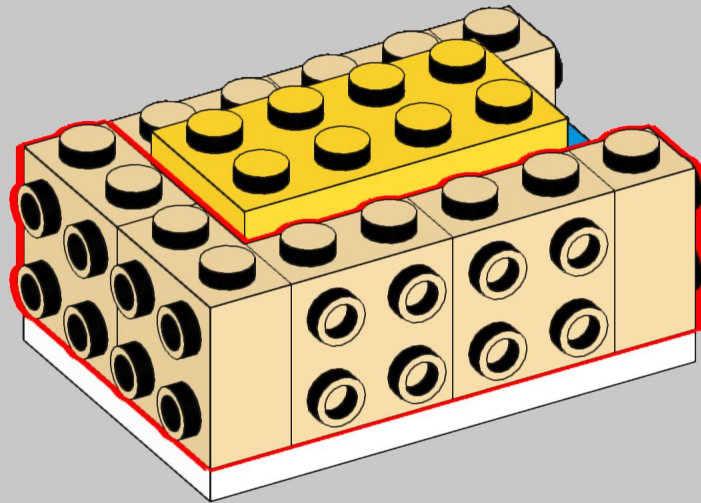
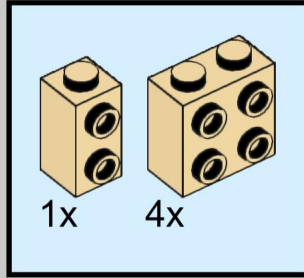
13



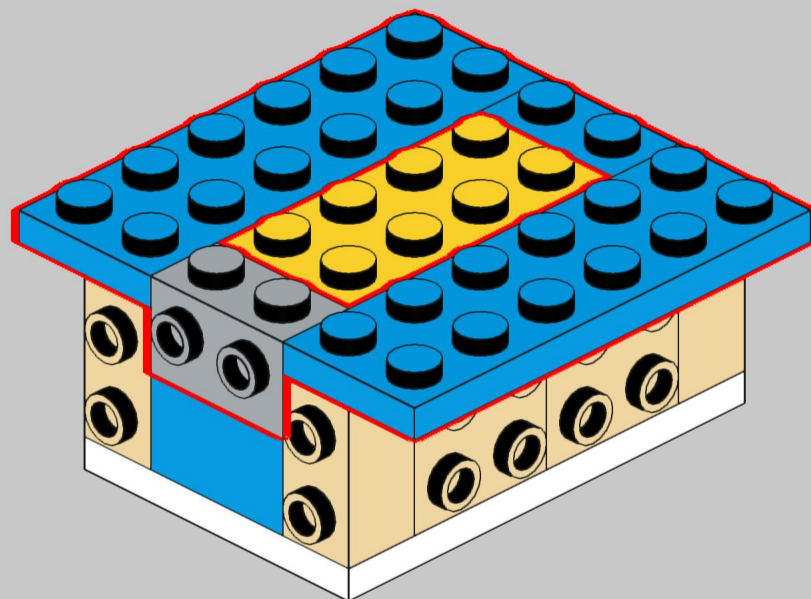
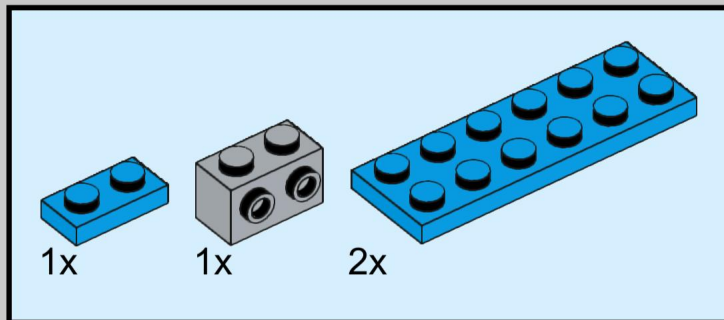
14



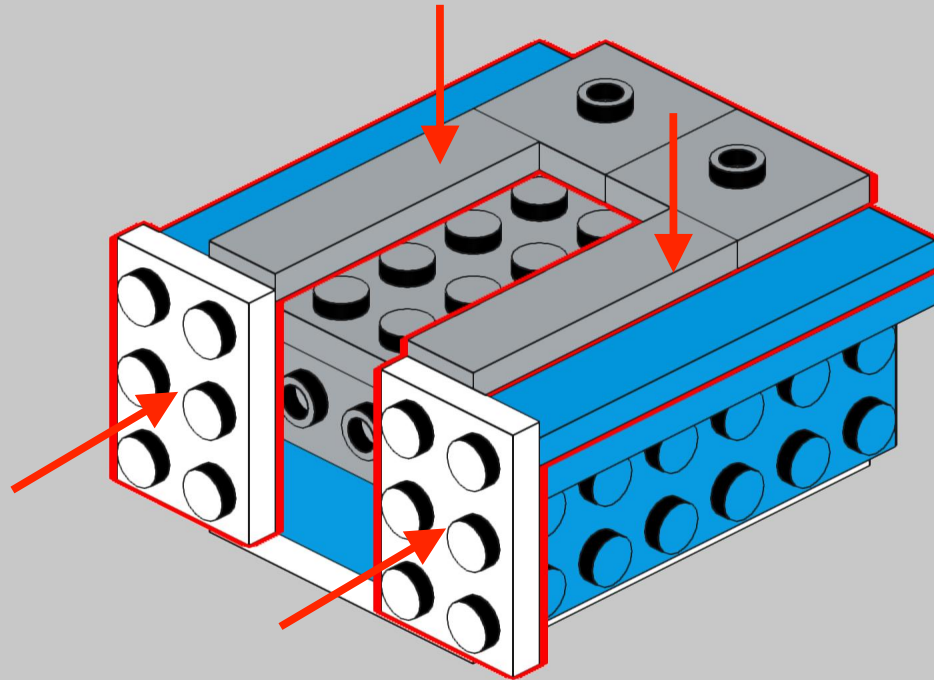
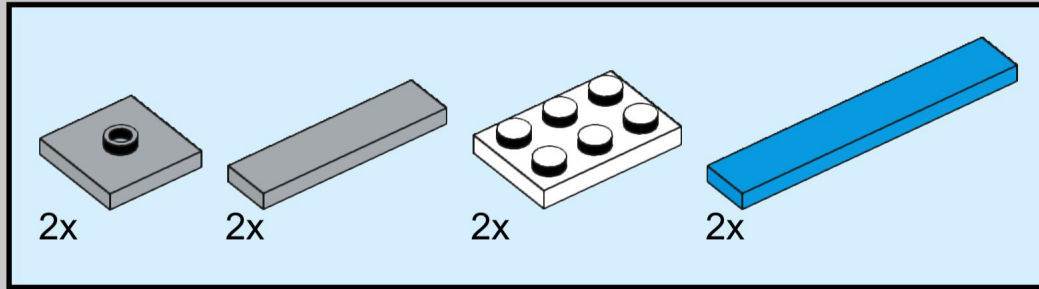
15



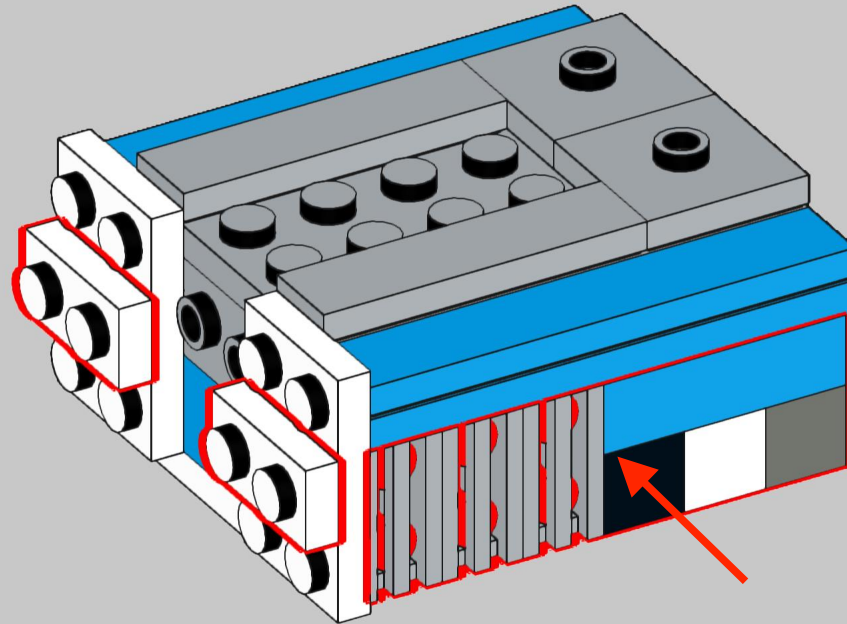
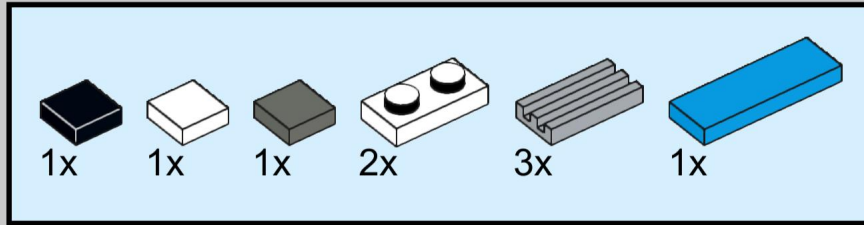
16



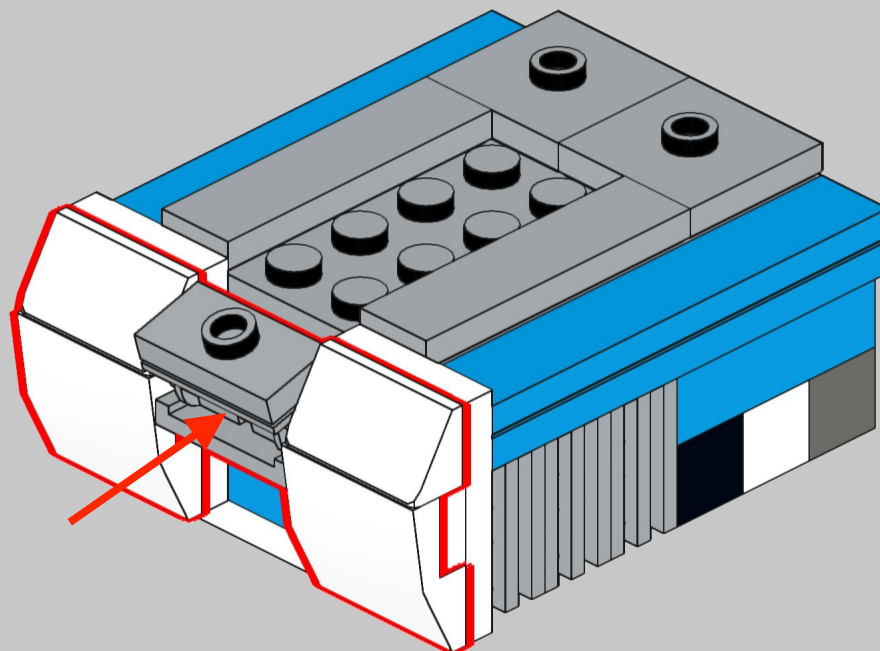
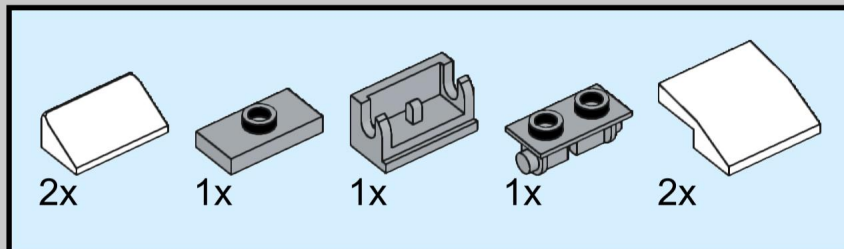
18



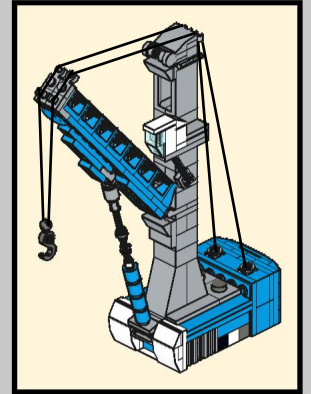
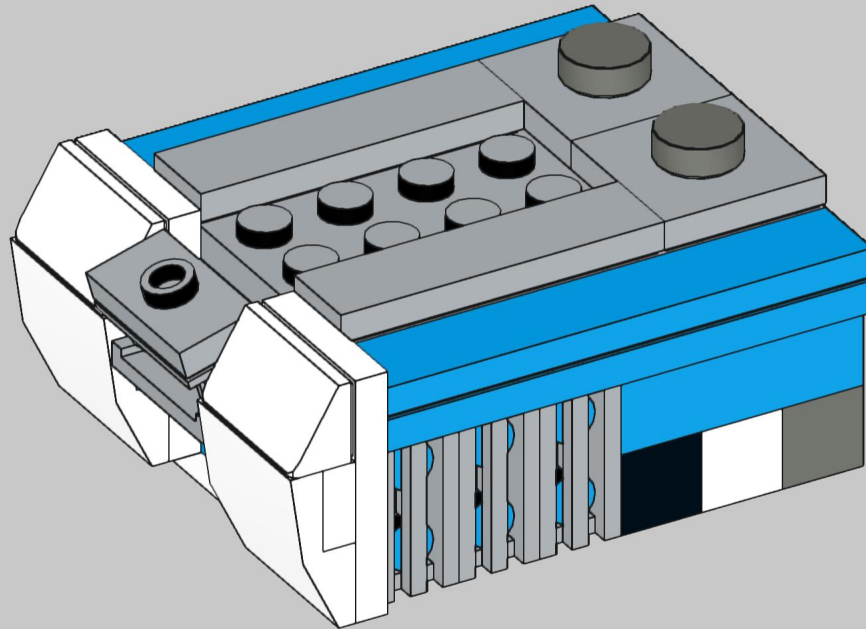
19



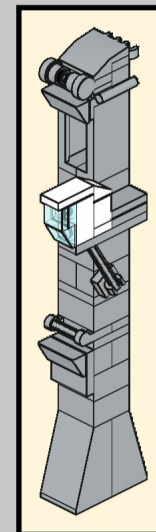
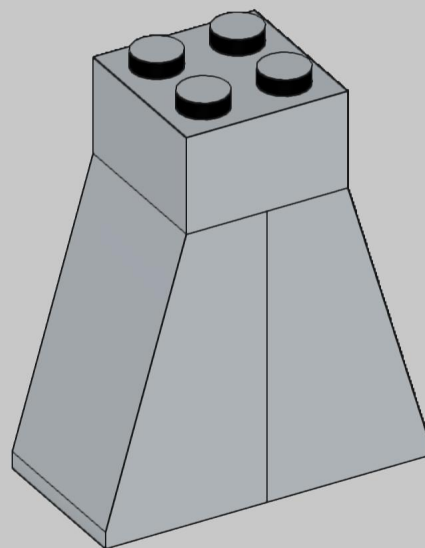
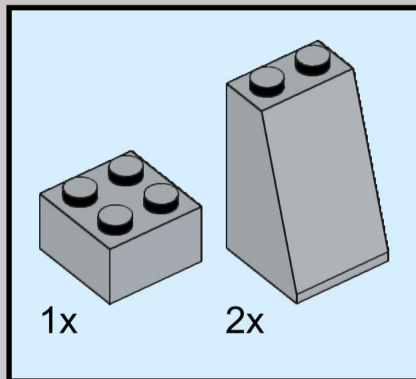
20



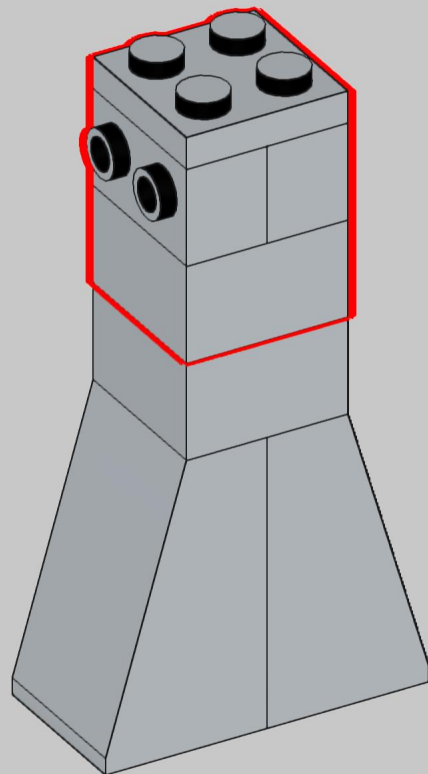
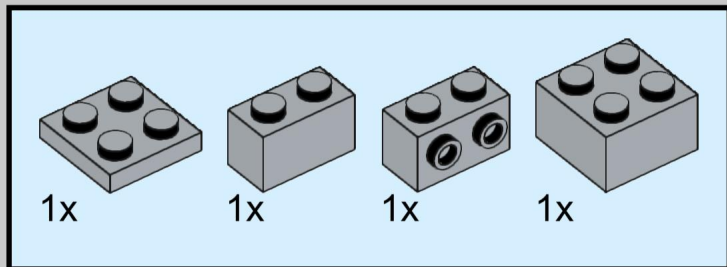
22



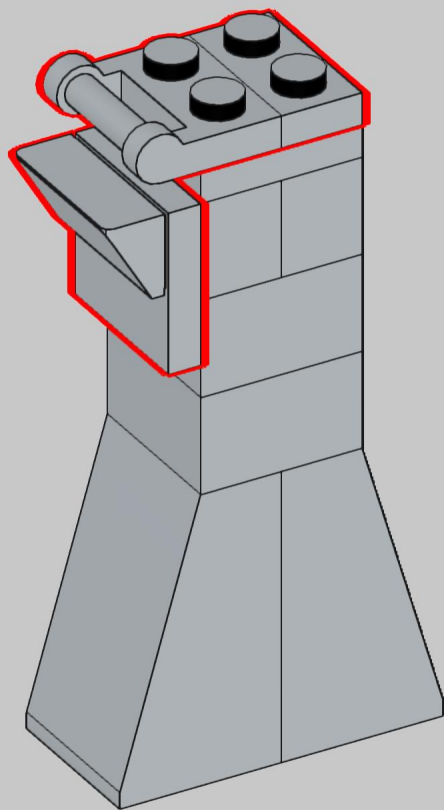
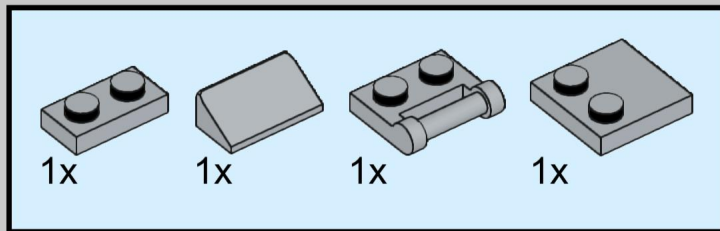
23



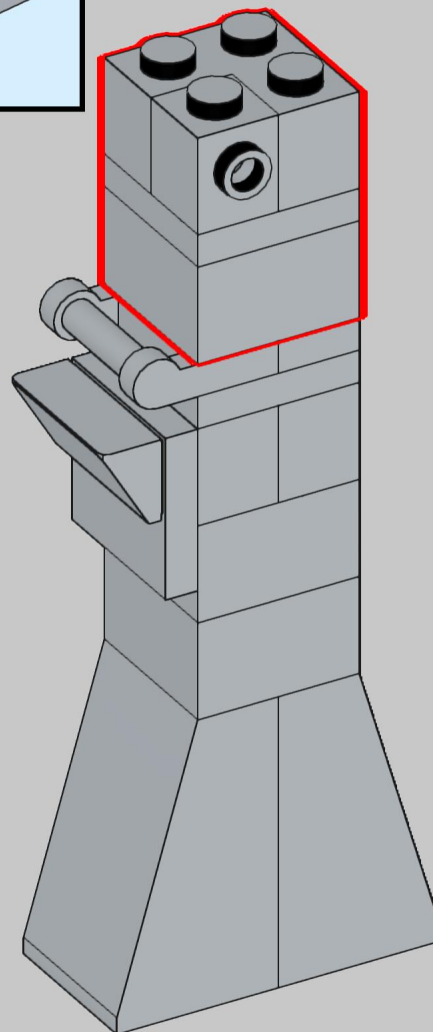
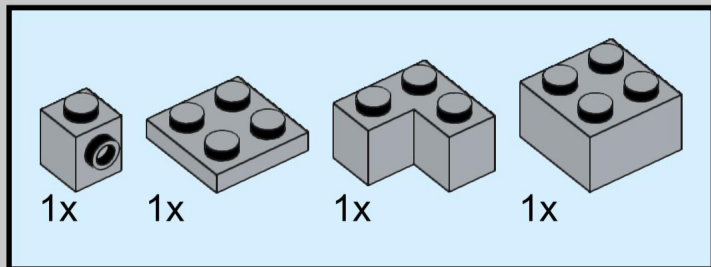
24



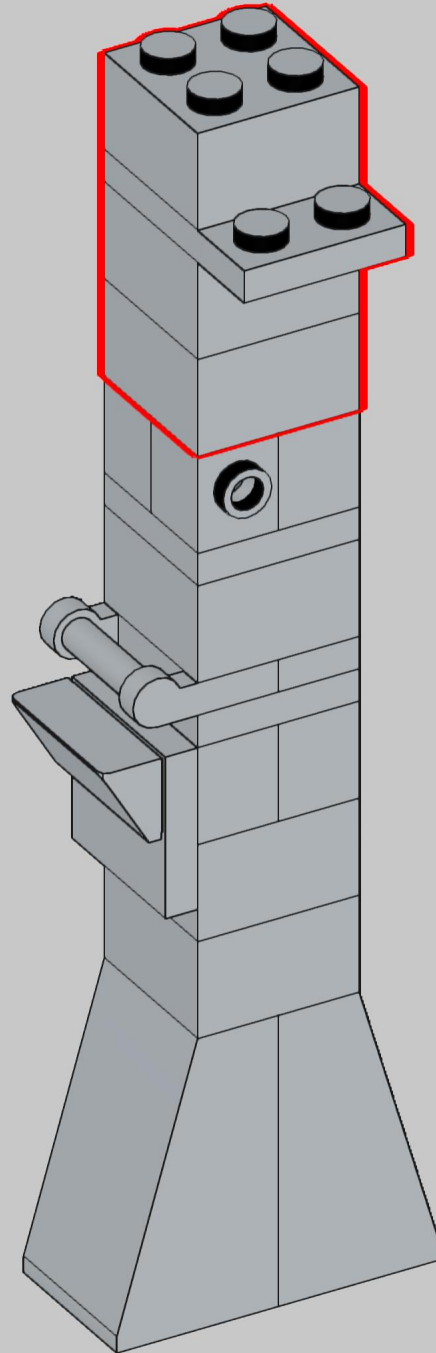
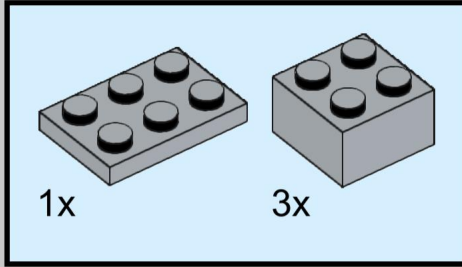
25



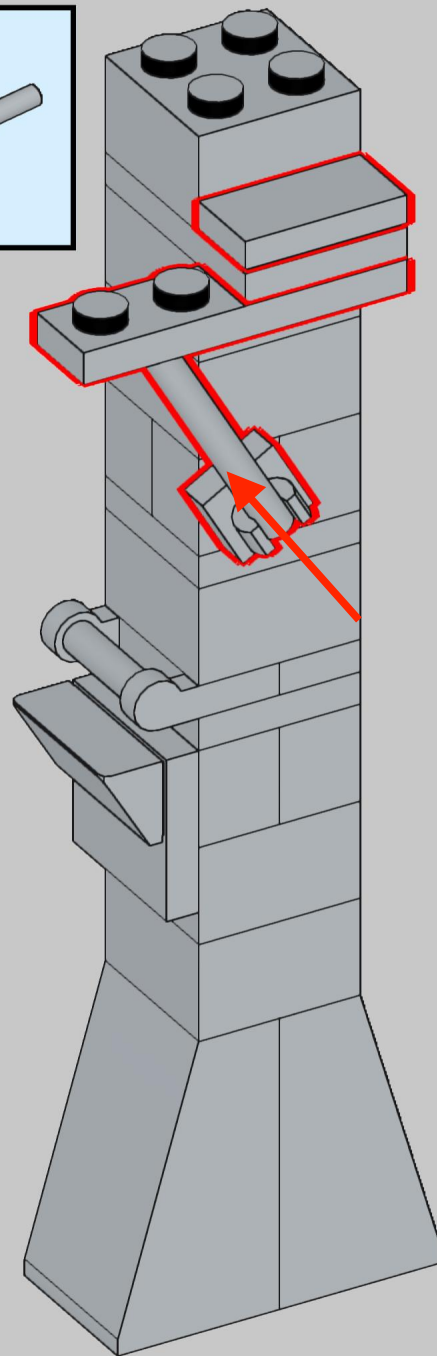
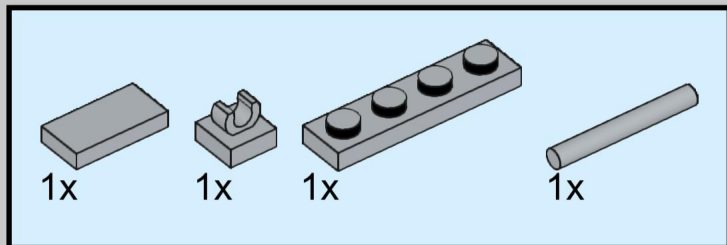
26



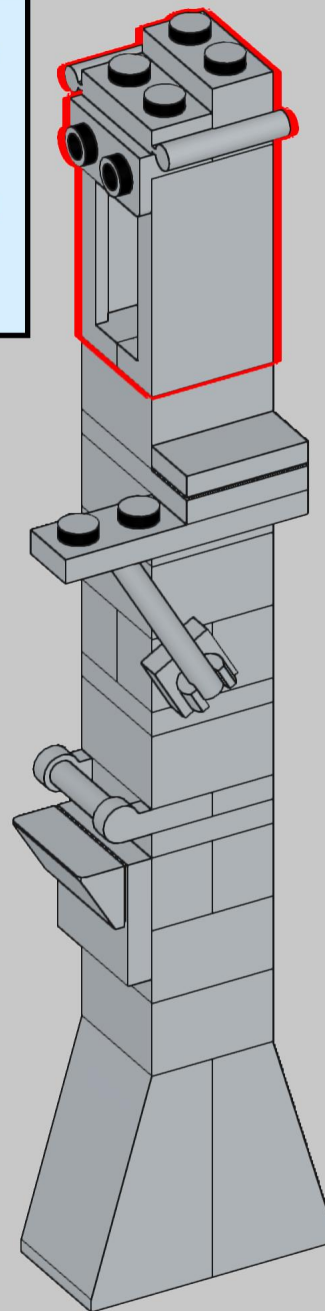
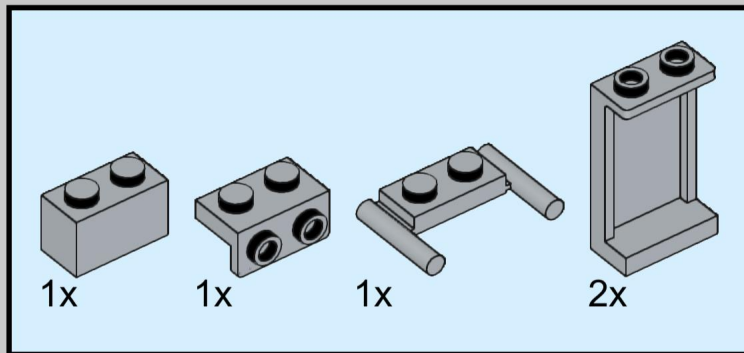
27



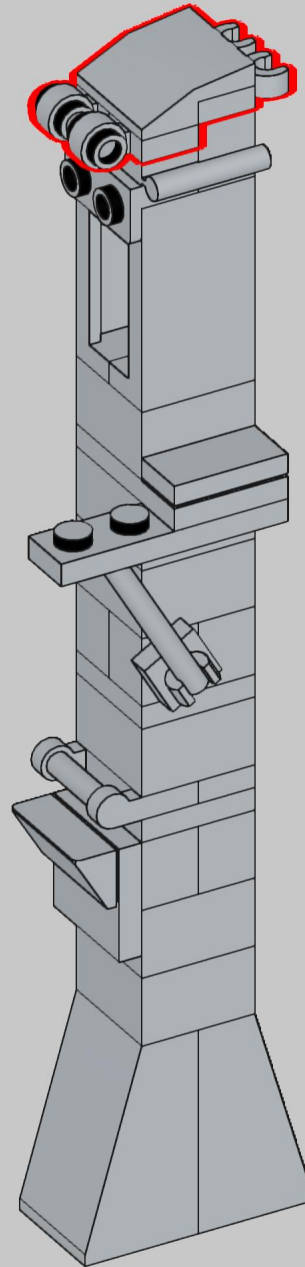
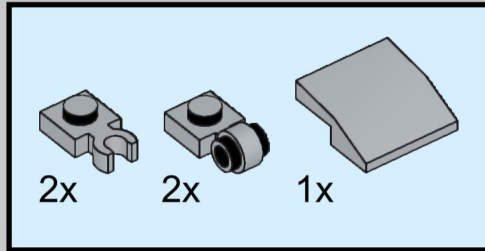
28



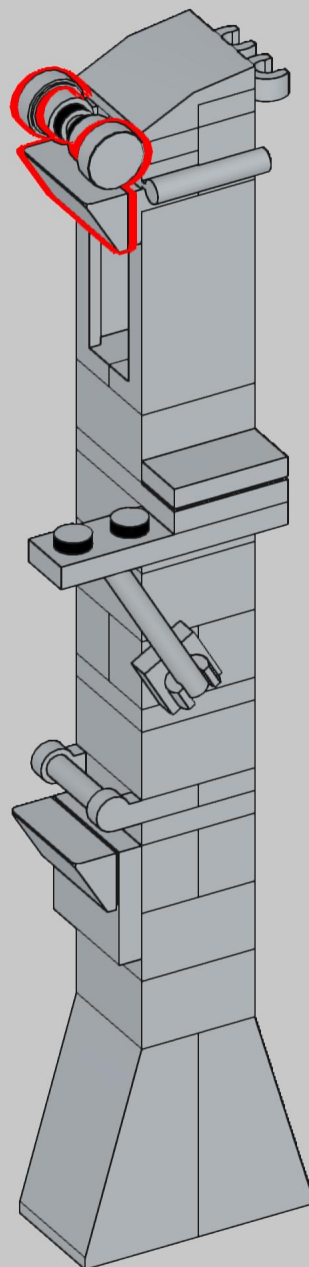
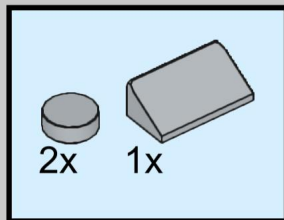
29



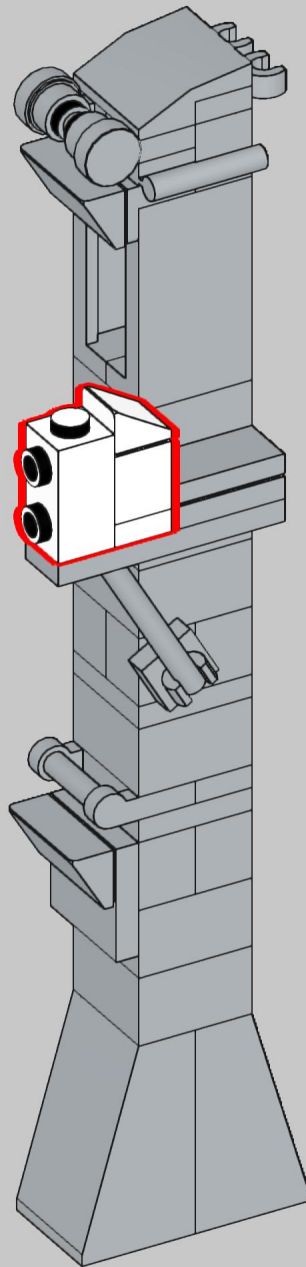
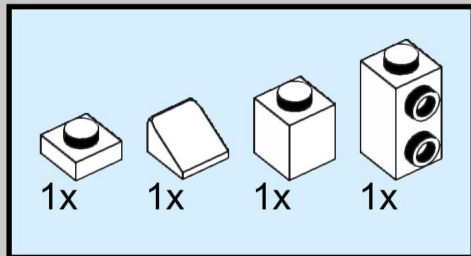
30



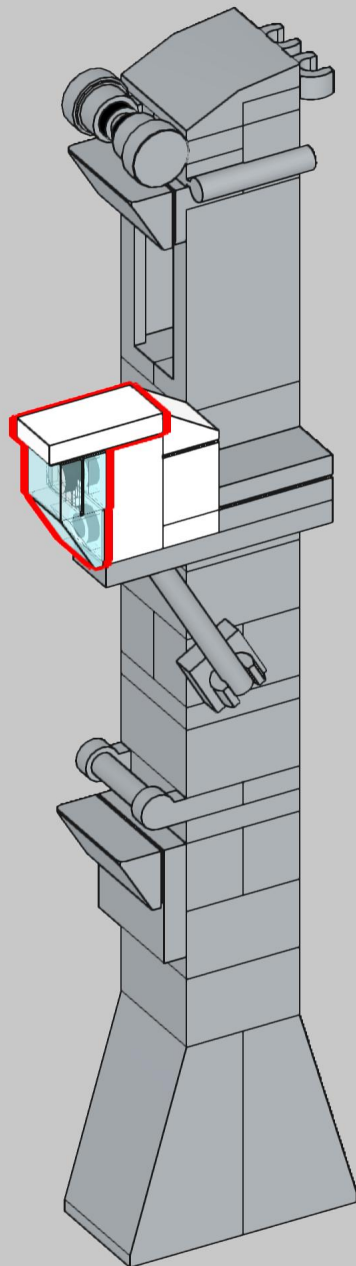
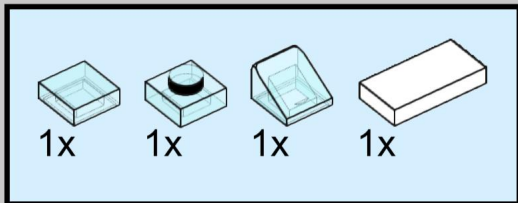
31



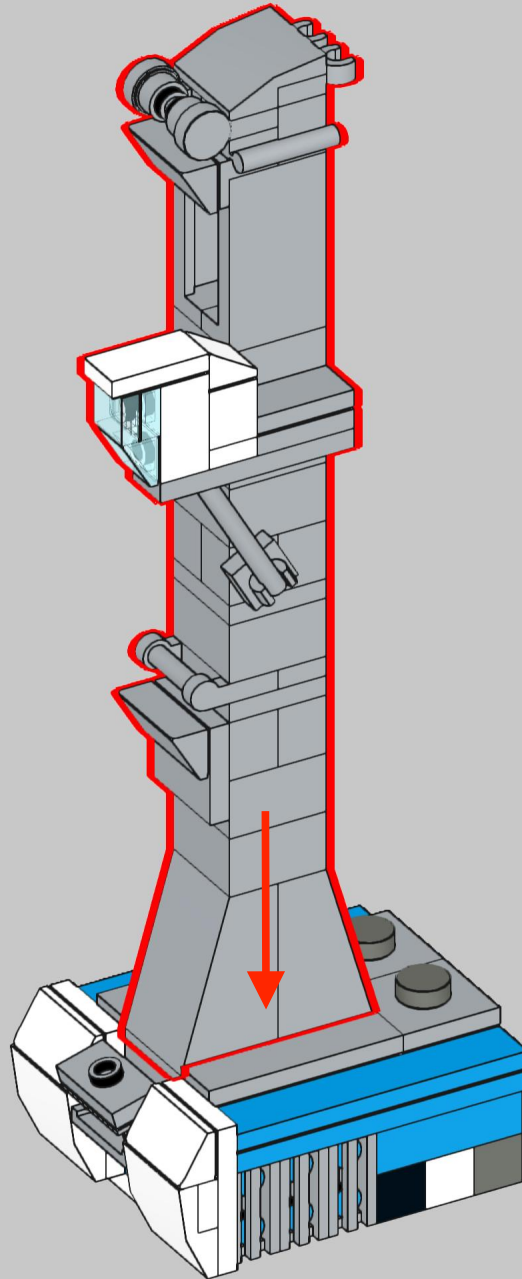
32



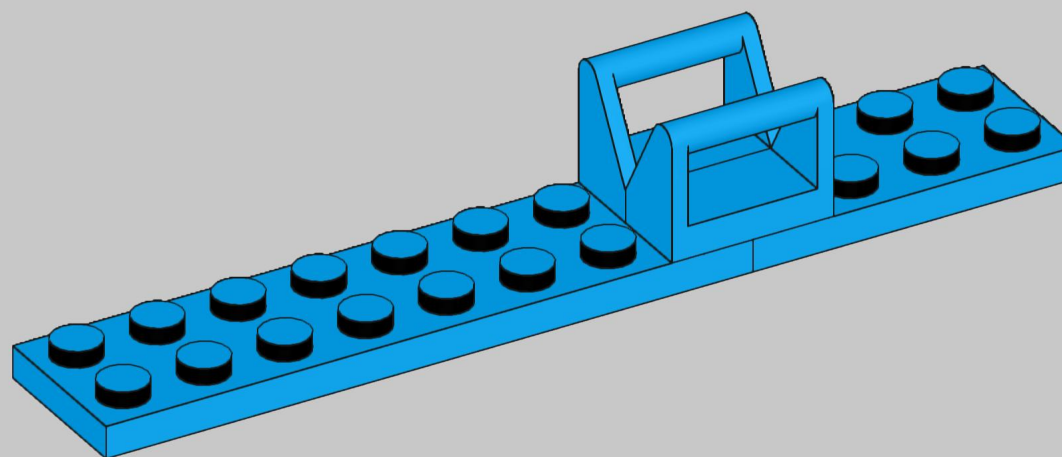
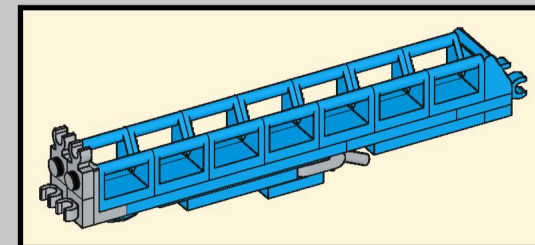
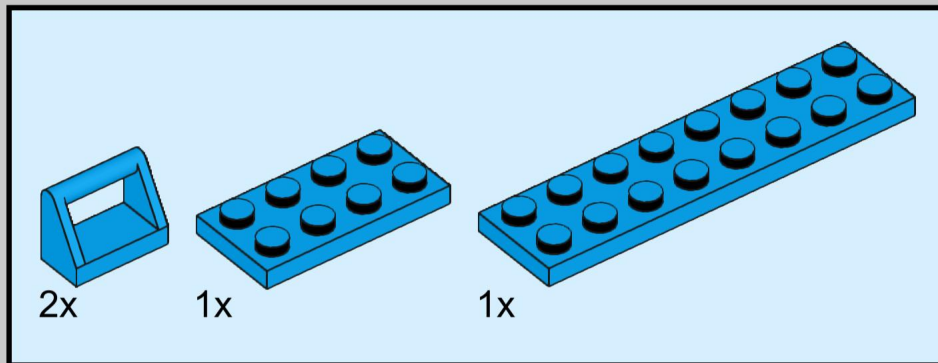
33



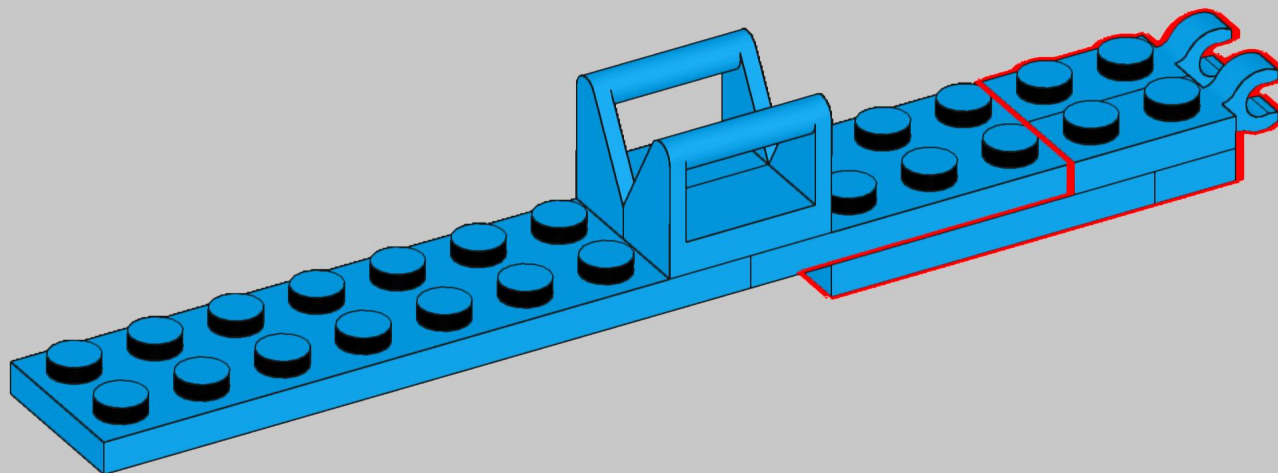
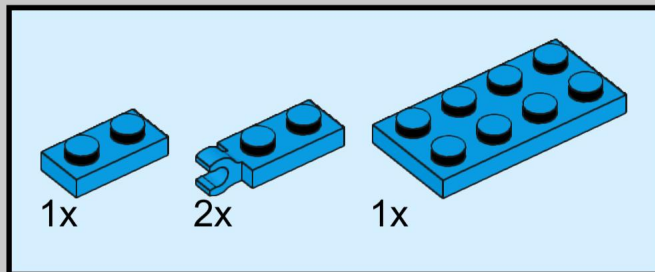
34



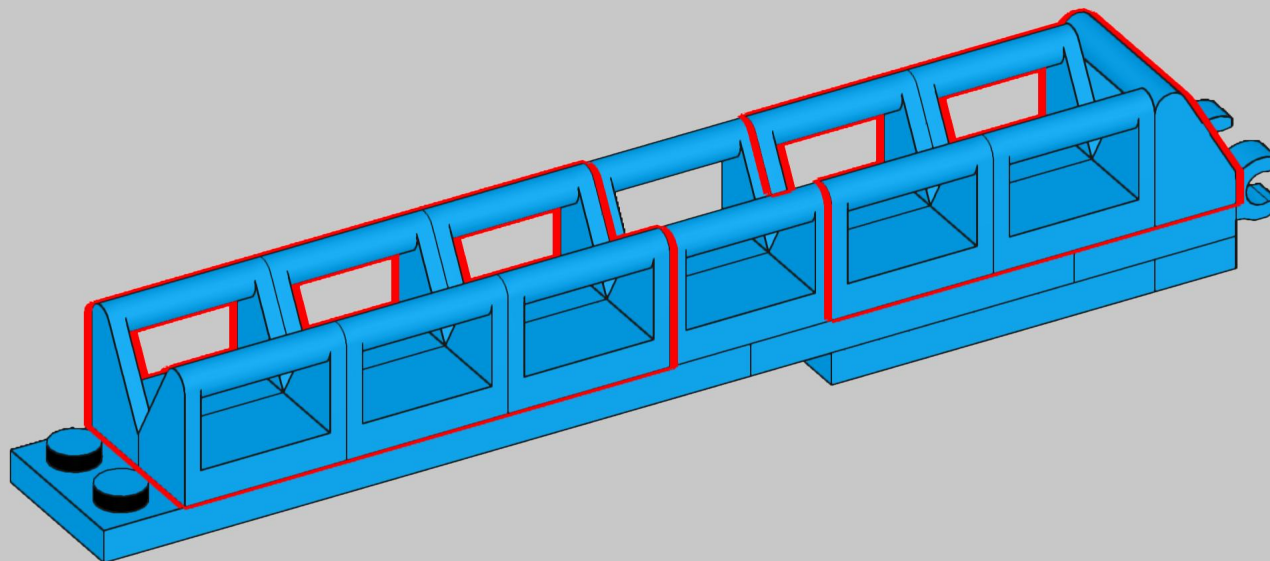
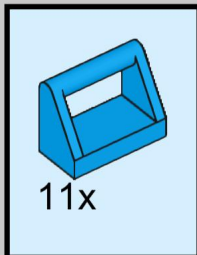
35



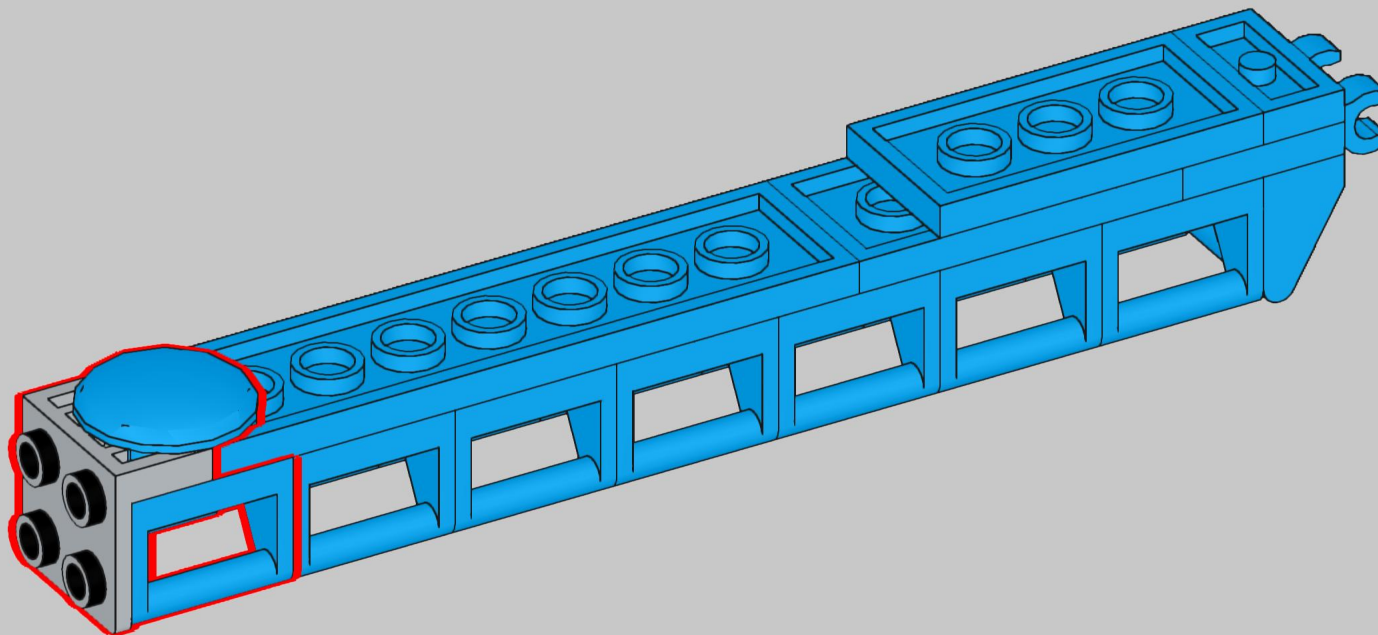
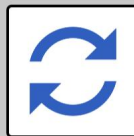
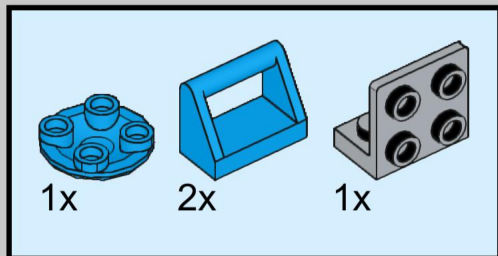
36



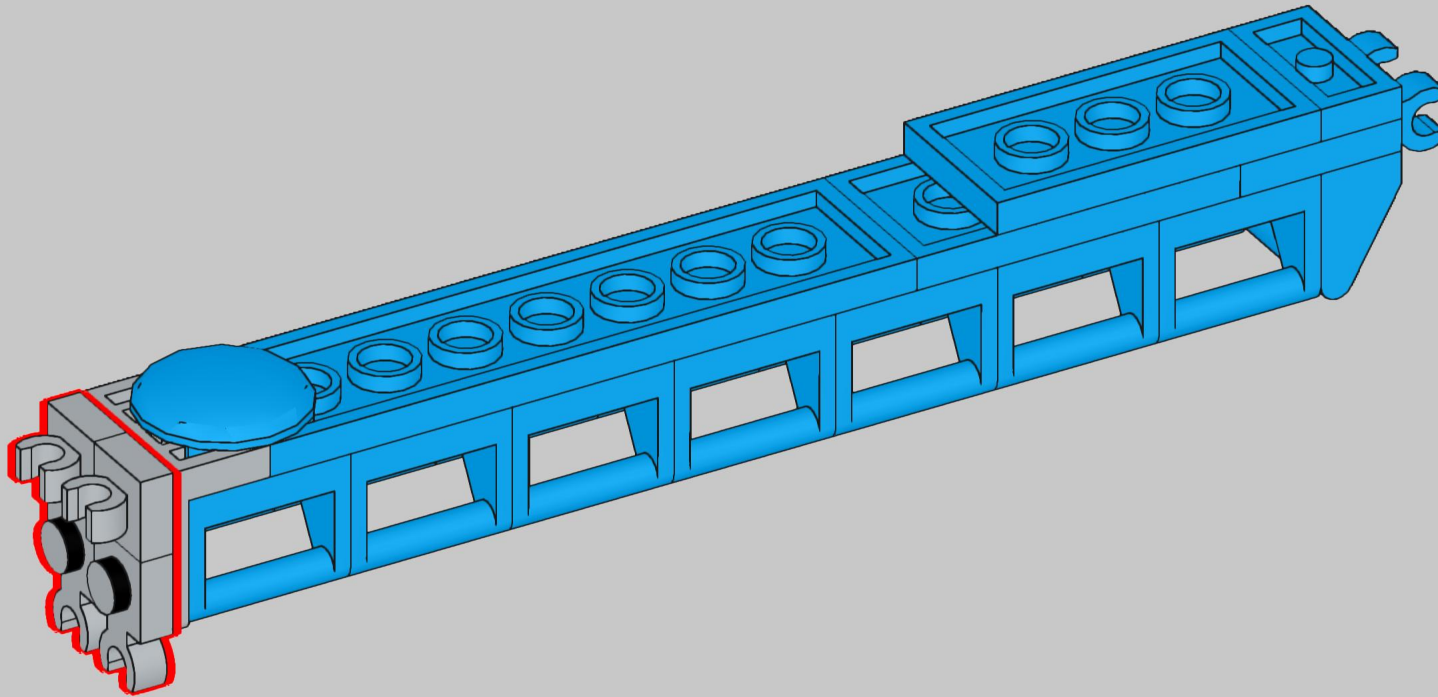
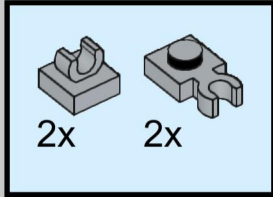
37



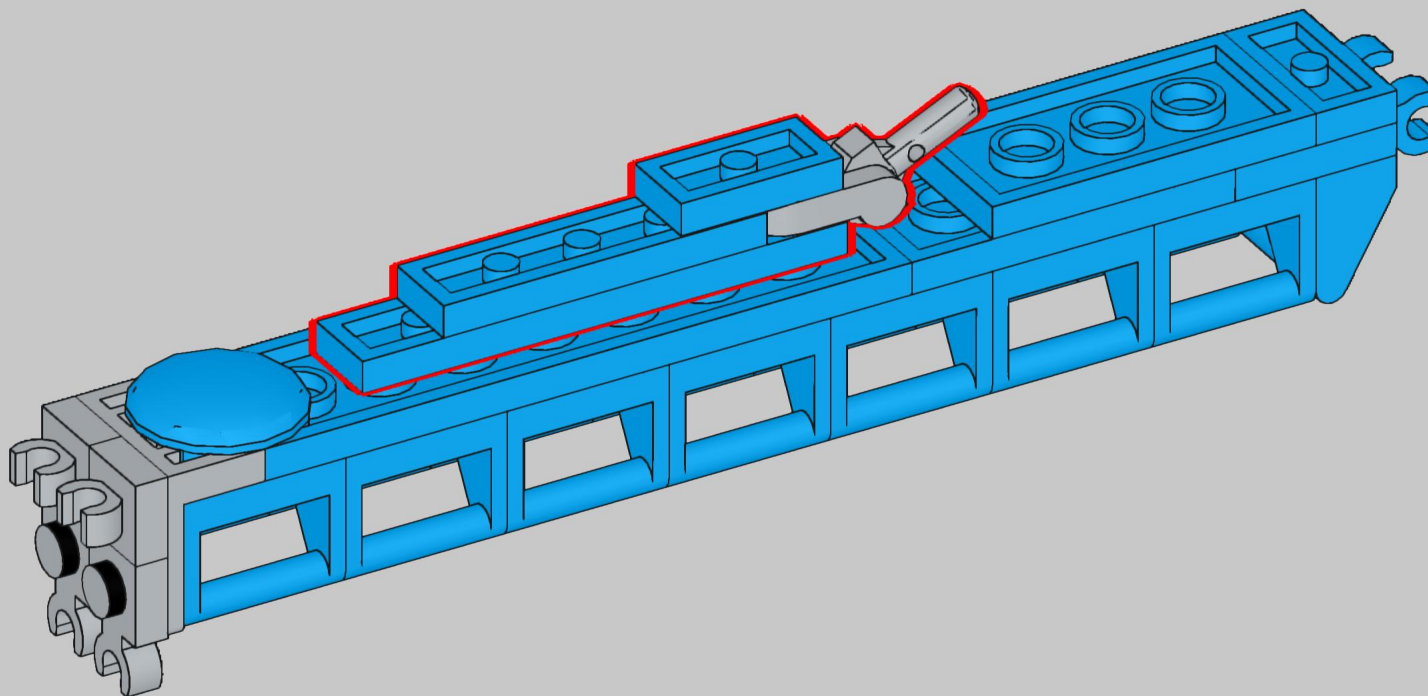
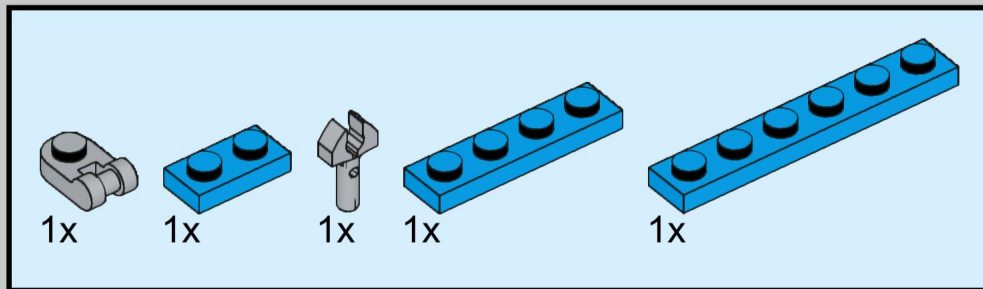
38



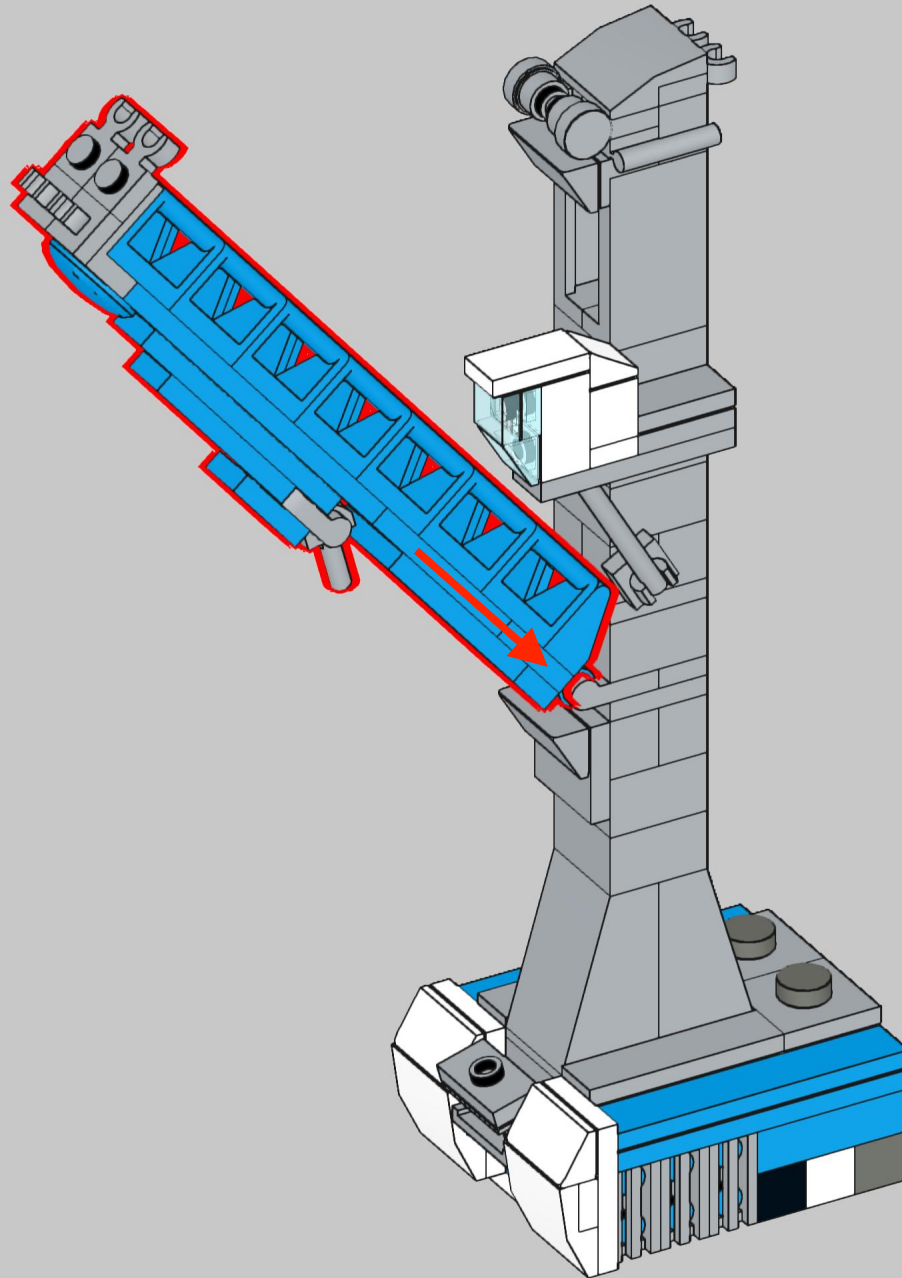
39



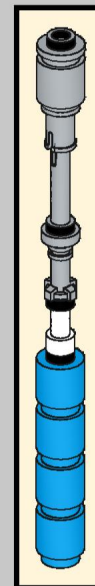
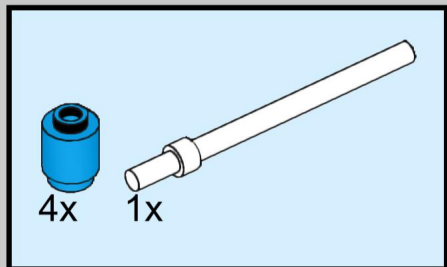
40



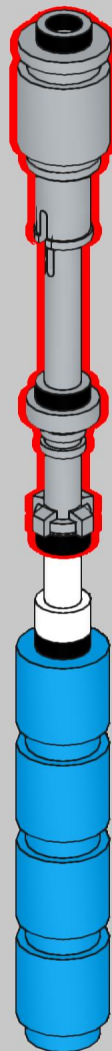
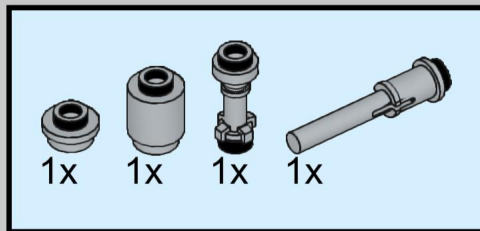
41



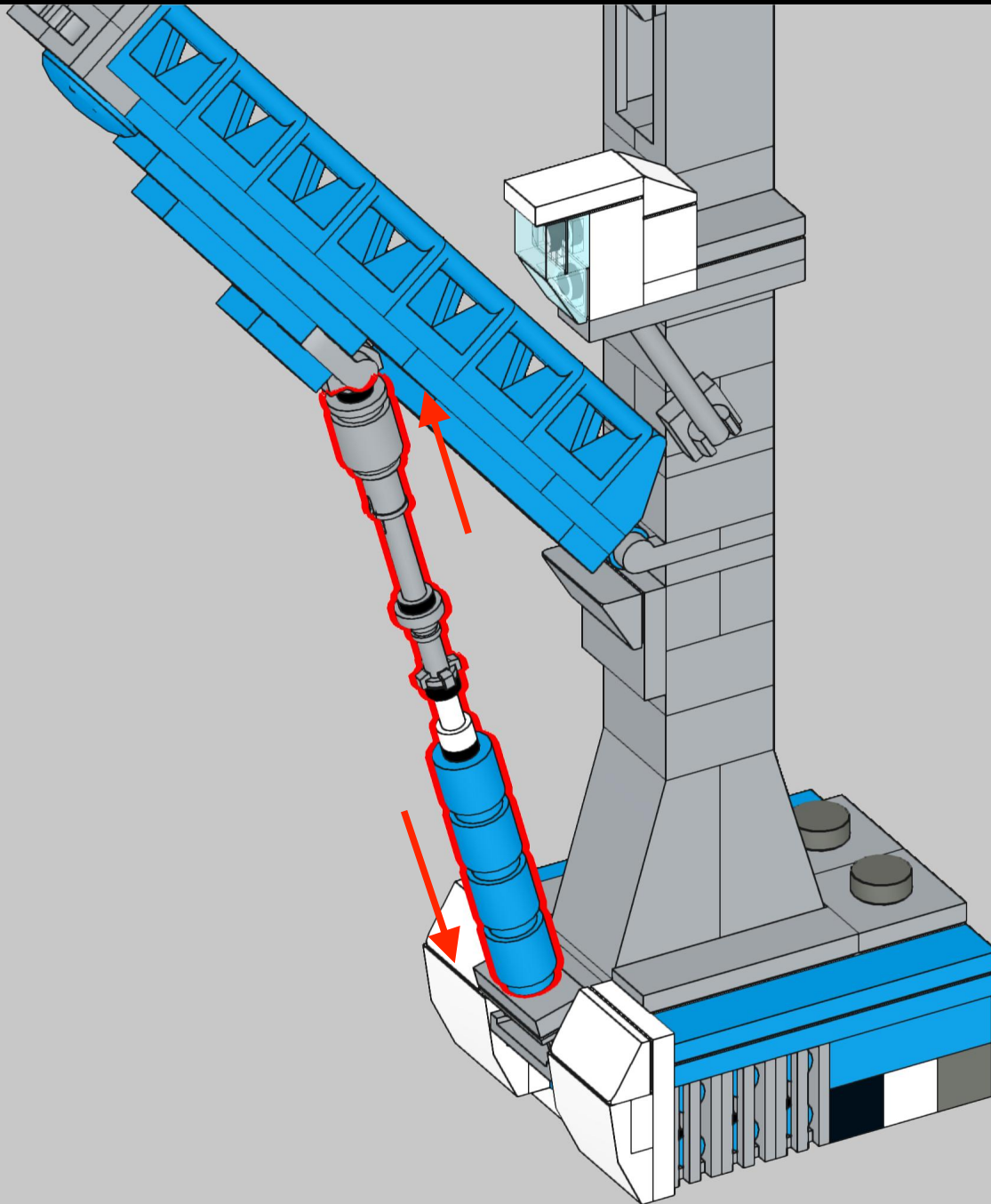
42



43



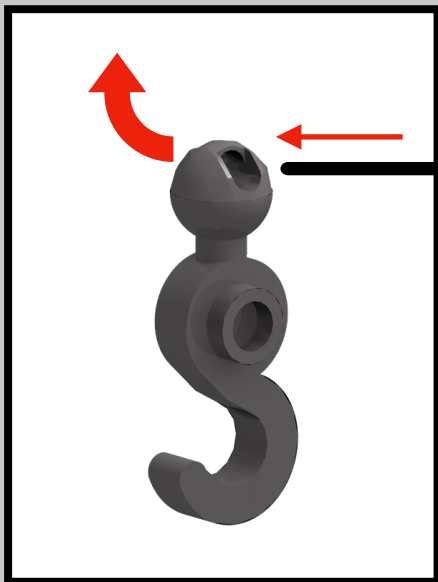
44



45

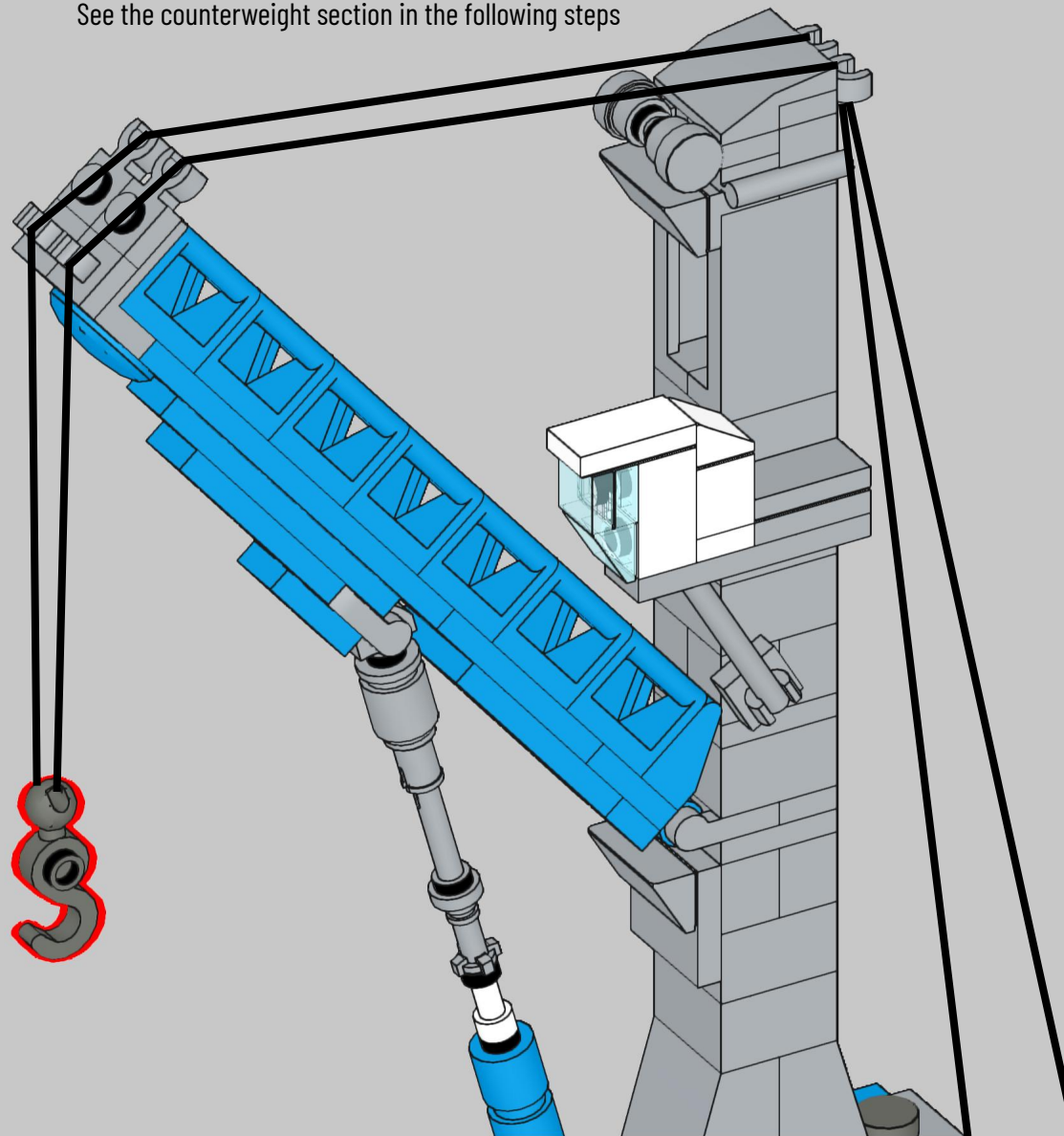


Pull through the paracord cable in the hook hole until the hook is around the middle of the full length

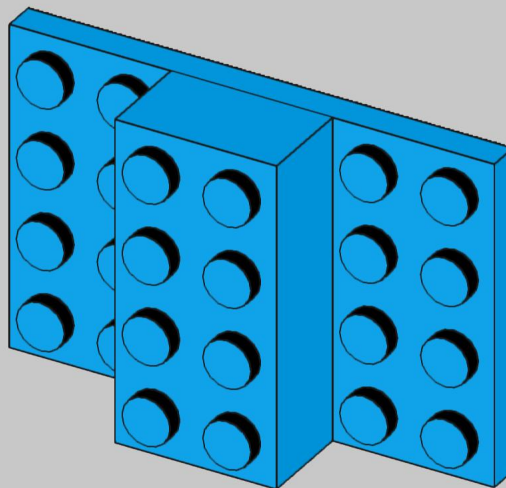
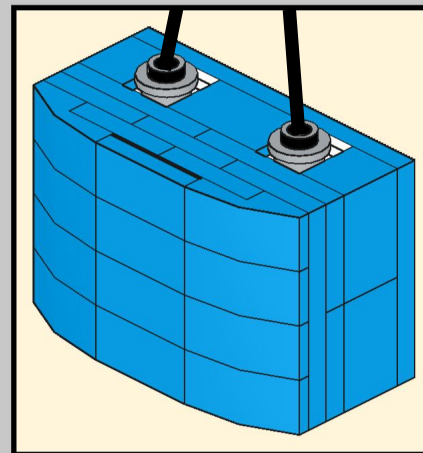
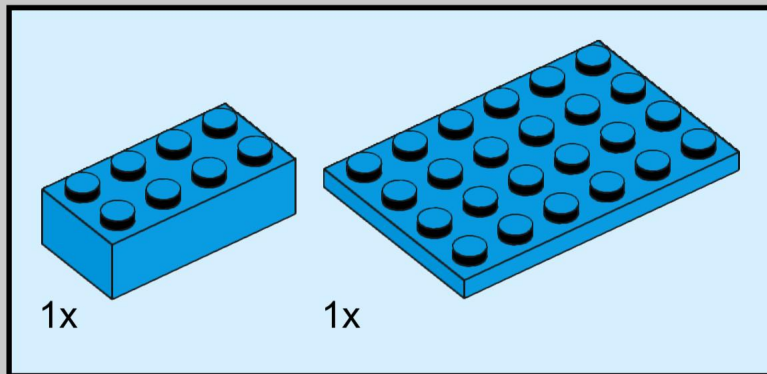


When the counterweight section is finished, bend over the cable across the tower and crane arm cable conductor parts

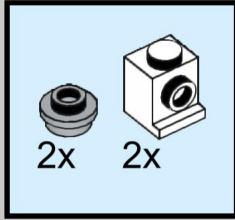
See the counterweight section in the following steps



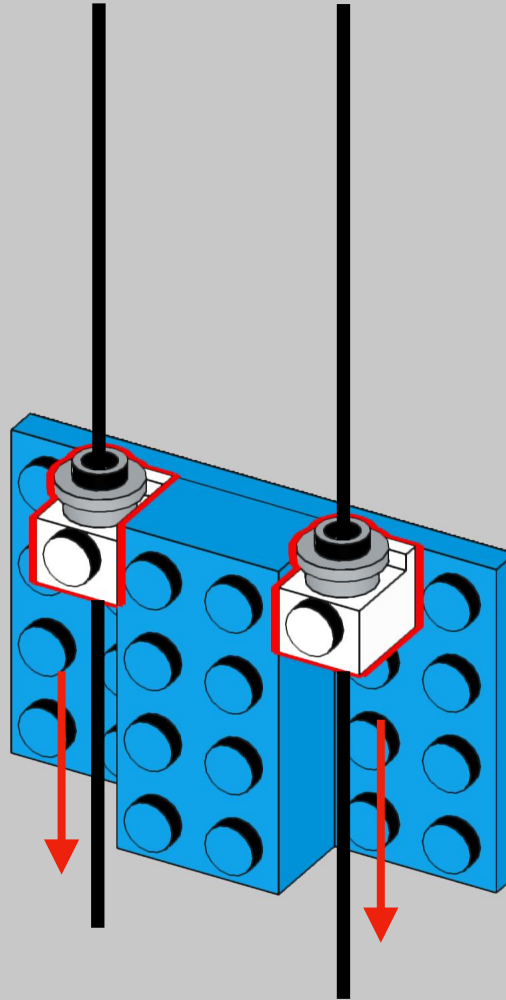
46



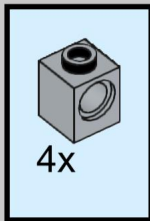
47



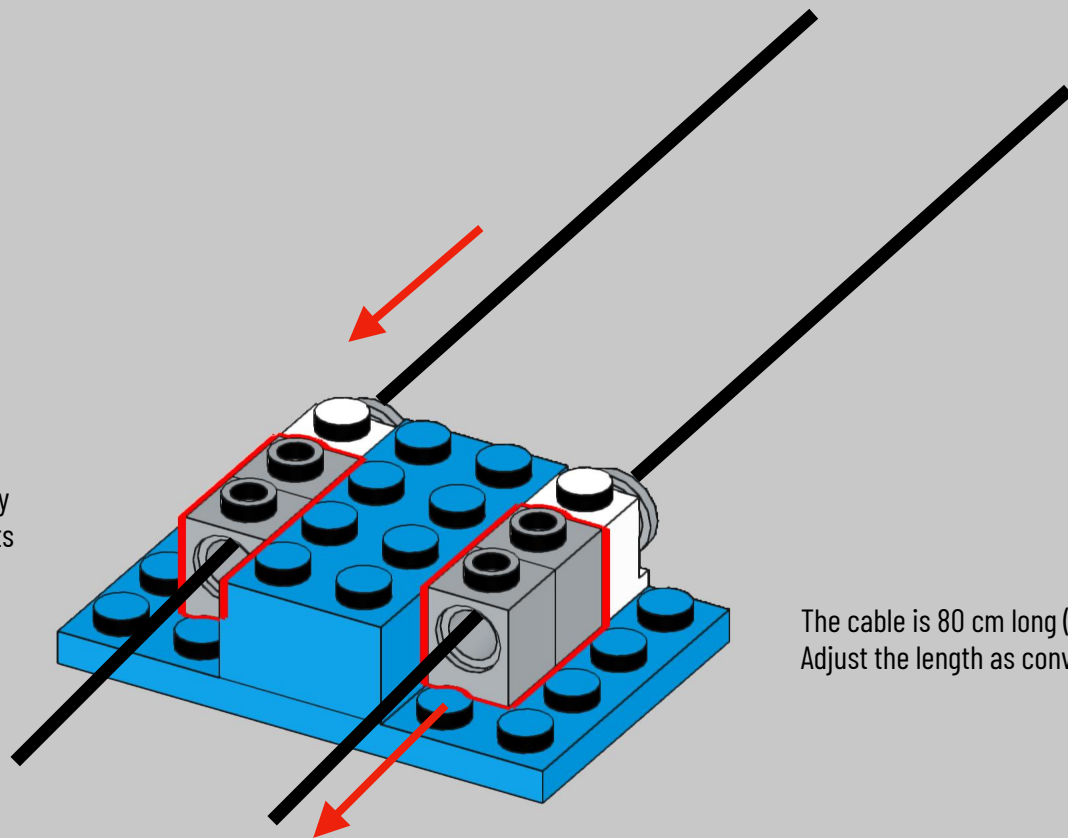
Pull through both ends of the paracord cable across the closing parts section



48

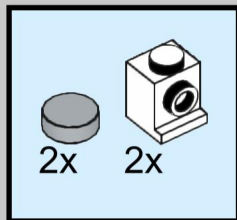


Lead the cable continuously
across the middle hole parts

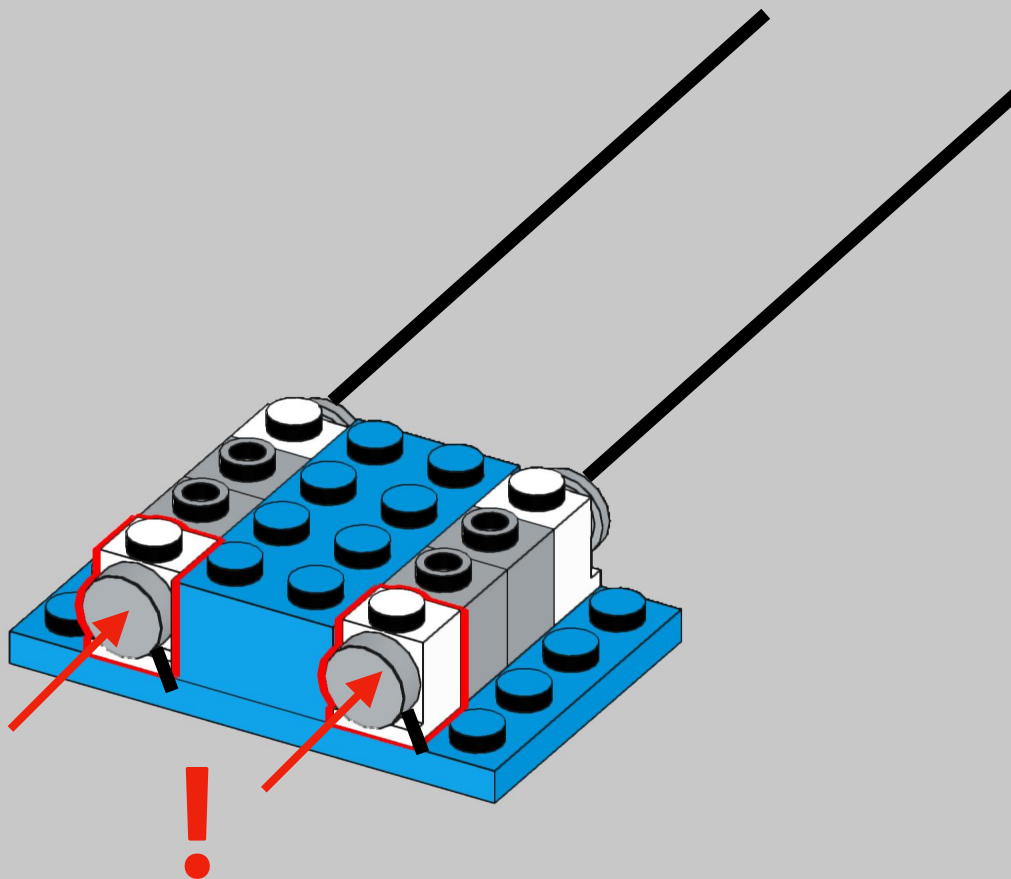


The cable is 80 cm long (31.5")
Adjust the length as convenient

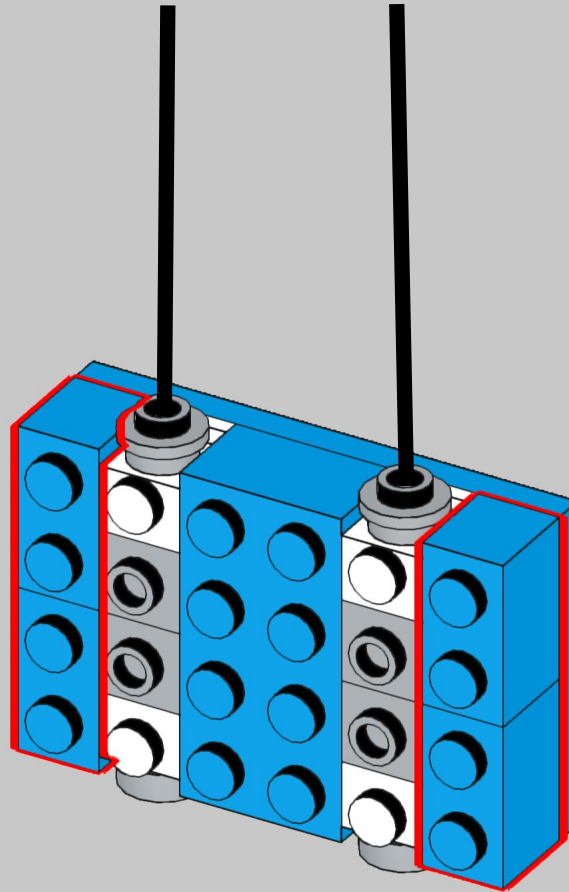
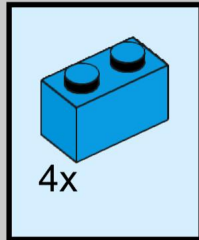
49



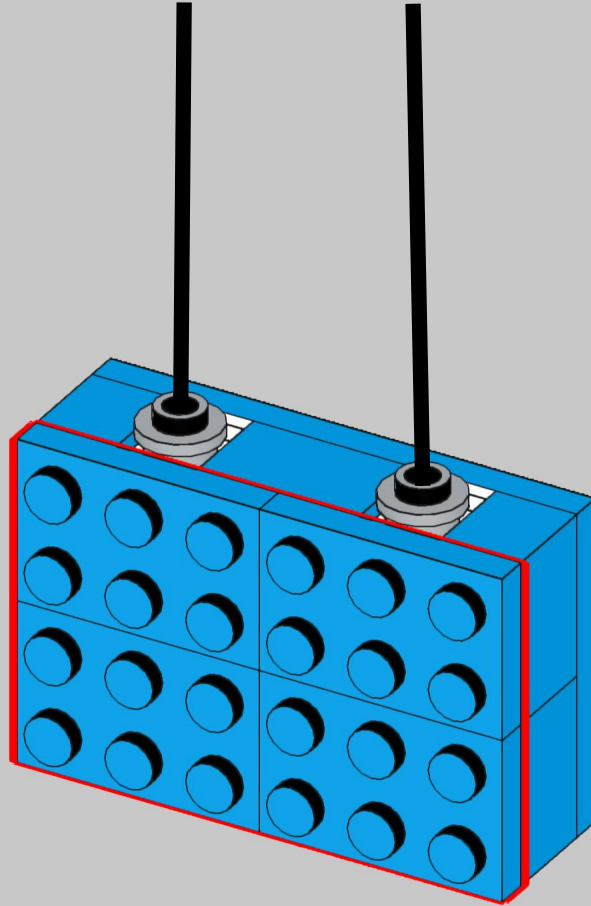
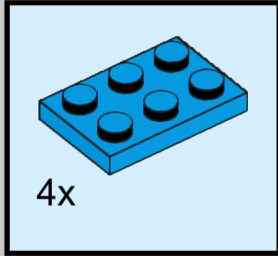
Finally, close and secure both ends of the cable with the grey round parts.



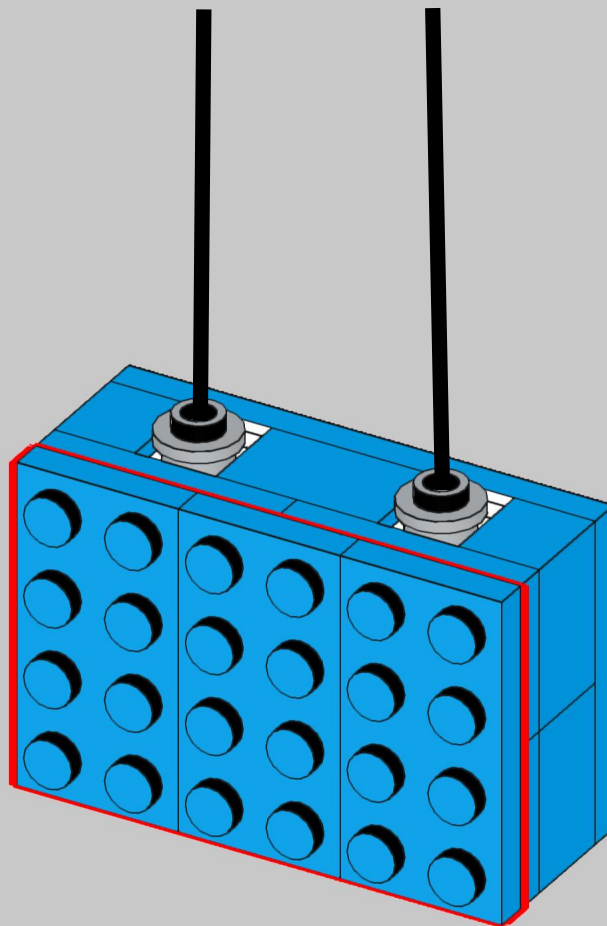
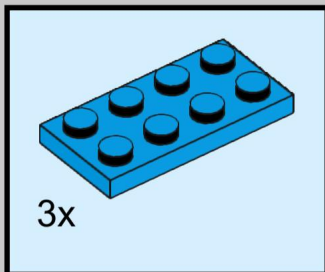
50



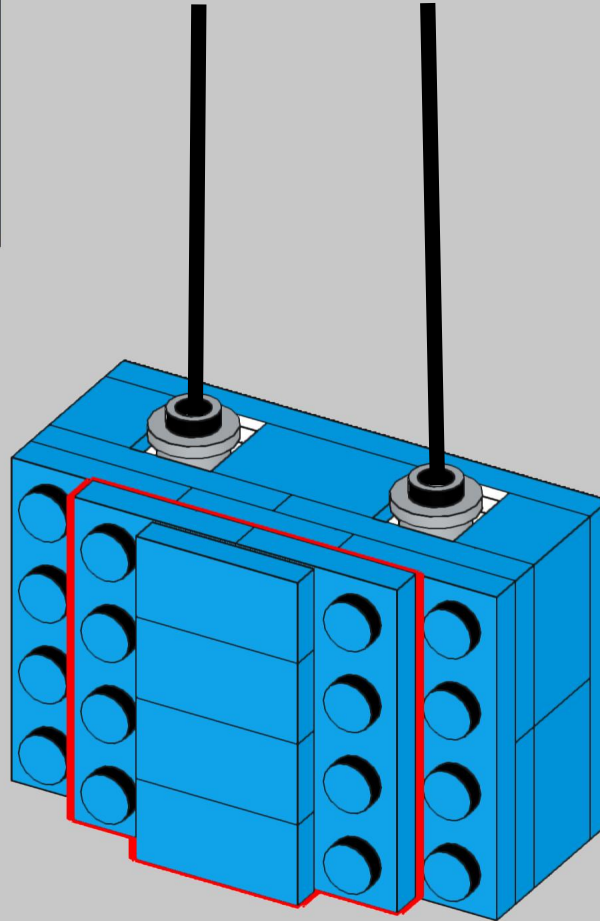
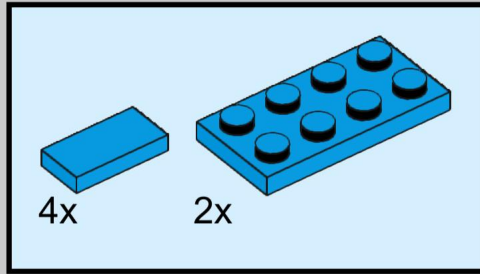
51



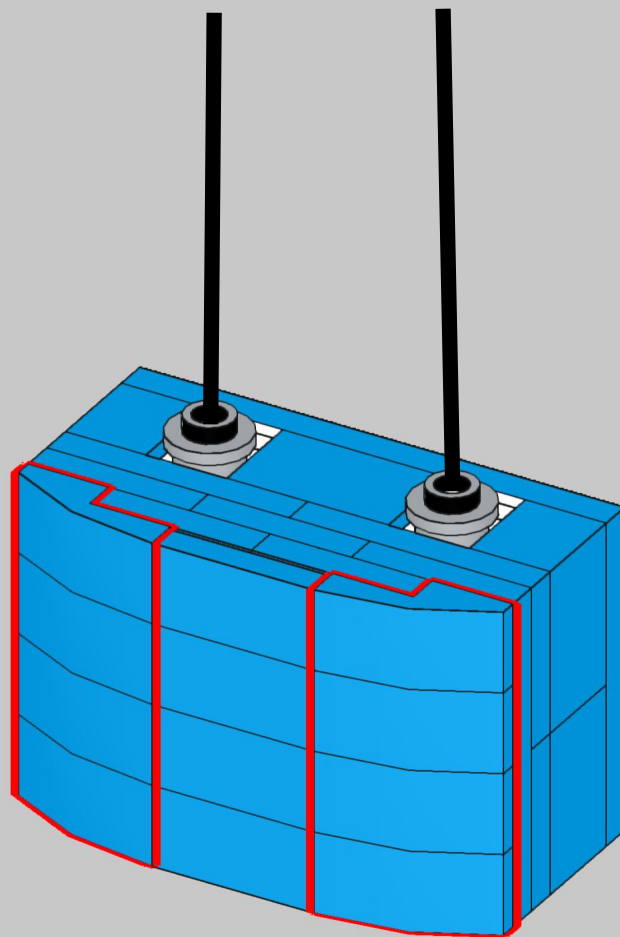
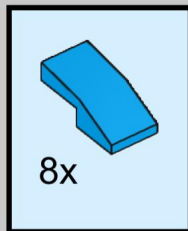
52



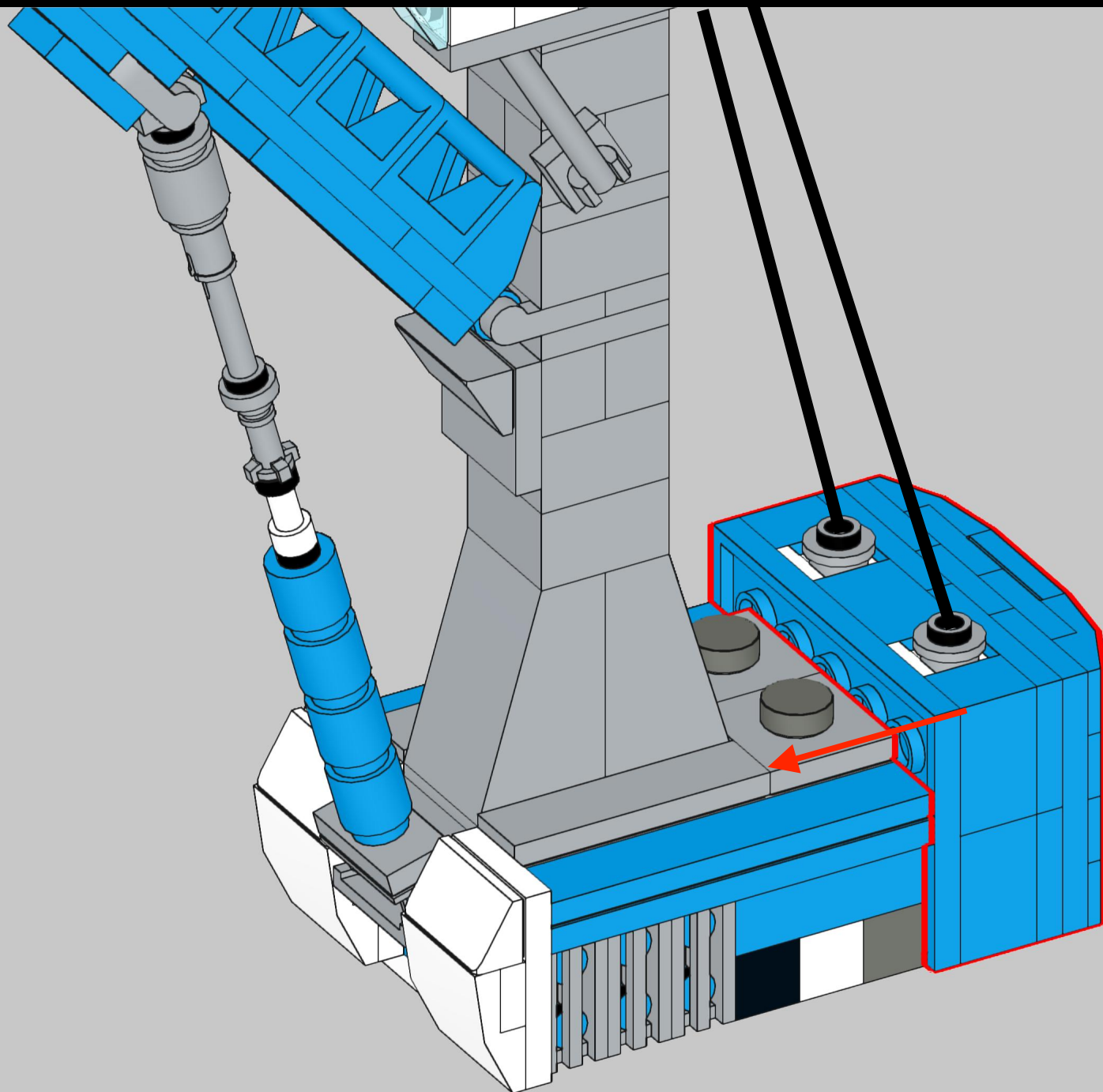
53



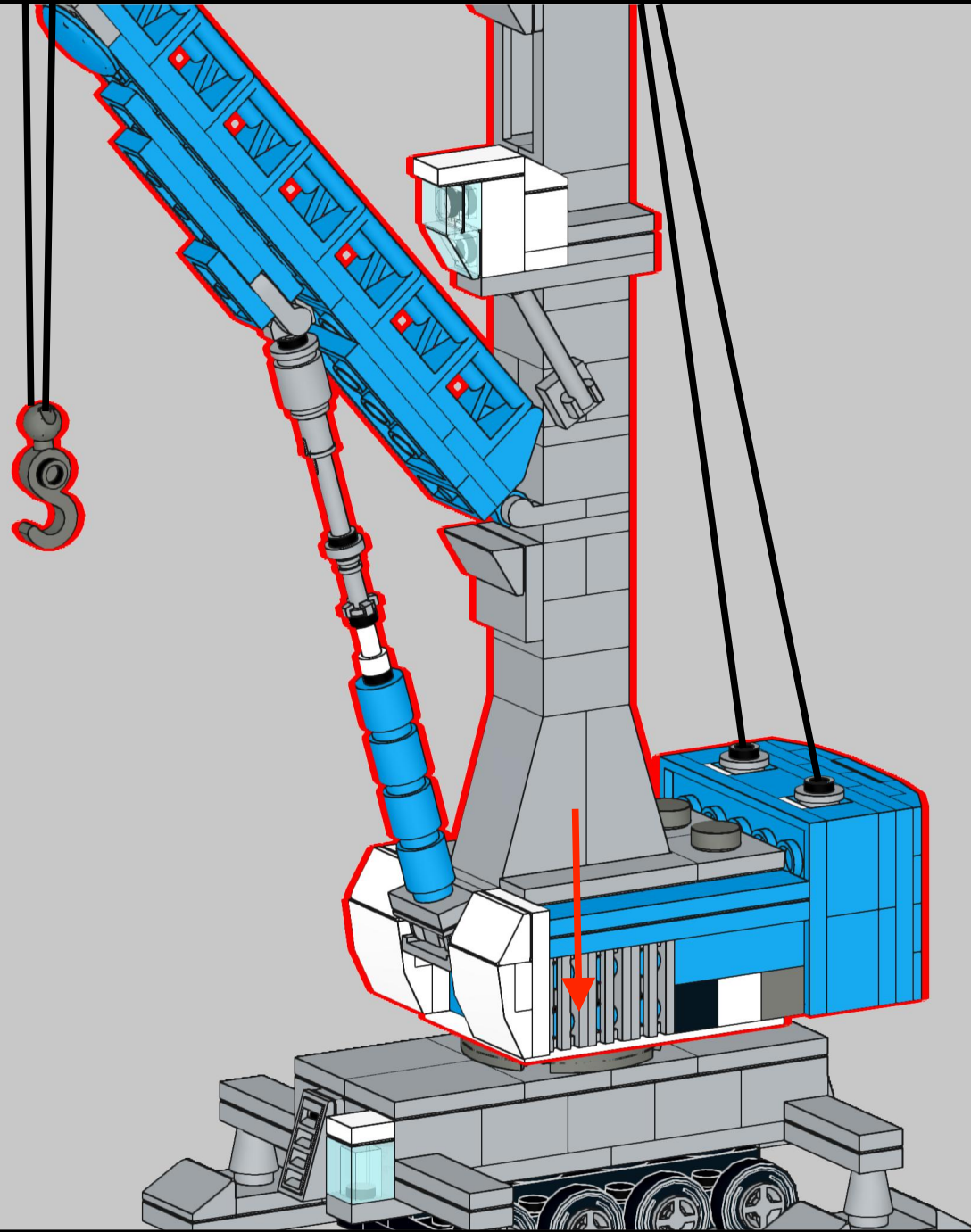
54



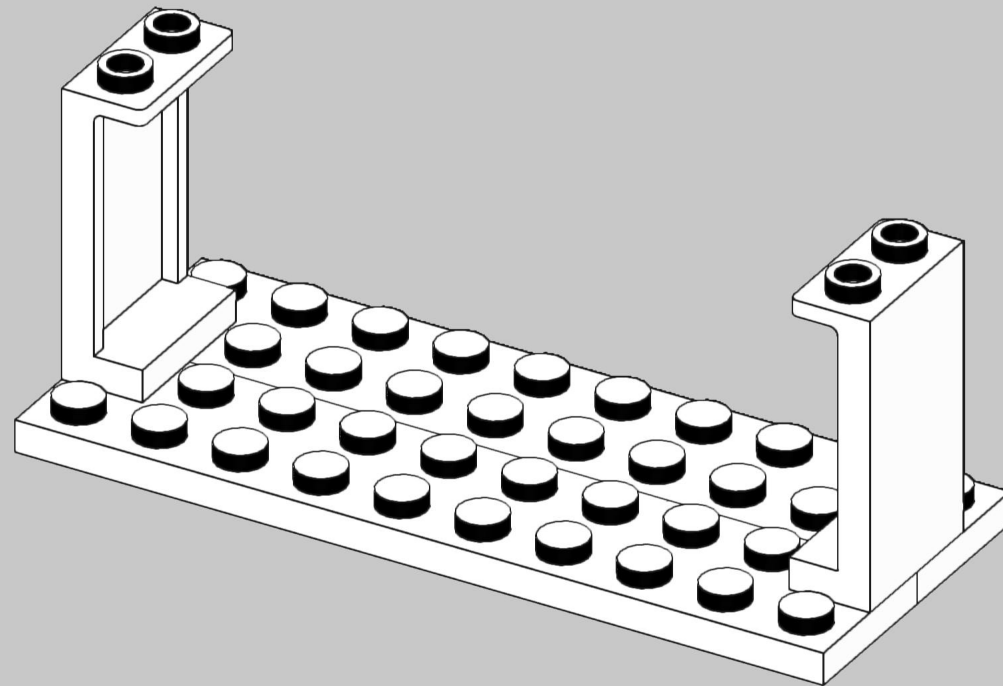
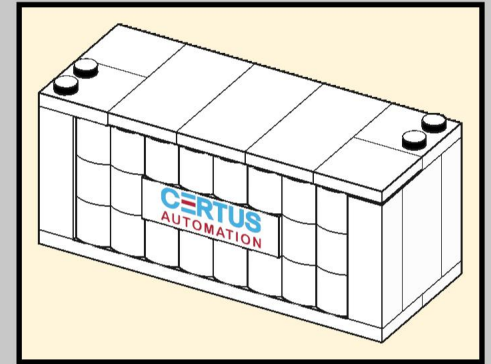
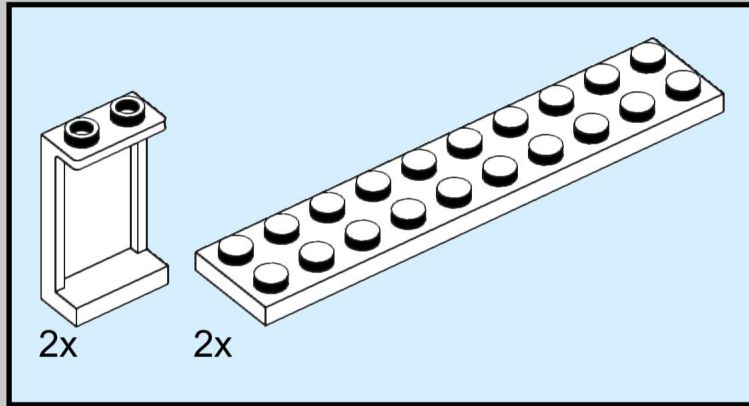
55



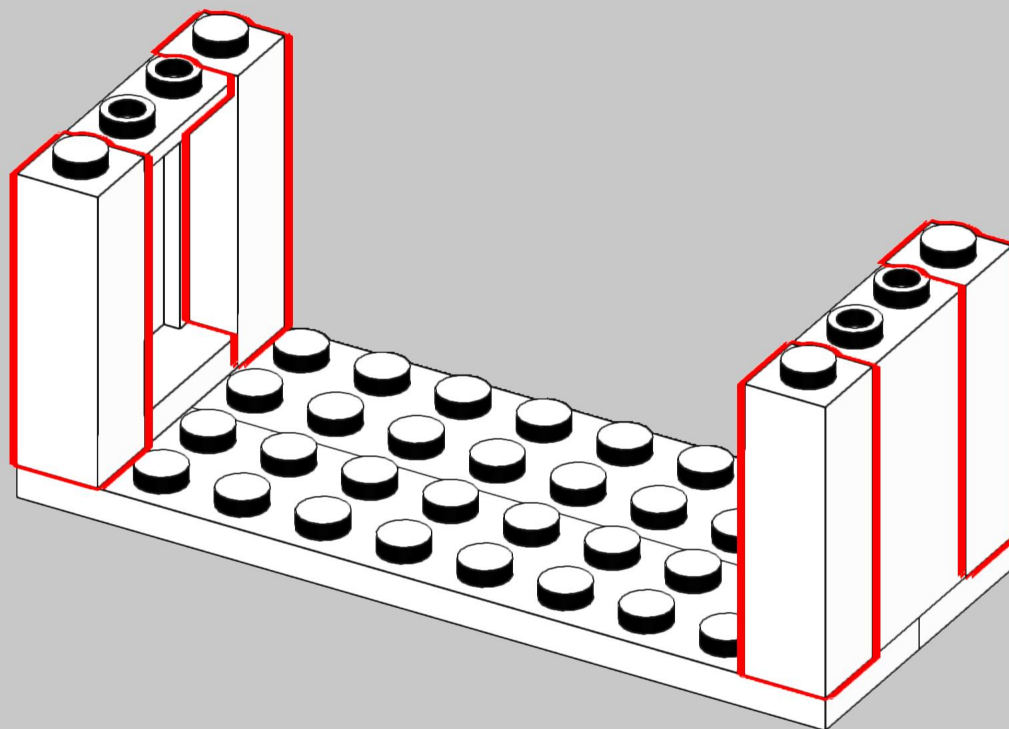
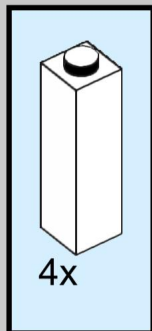
56



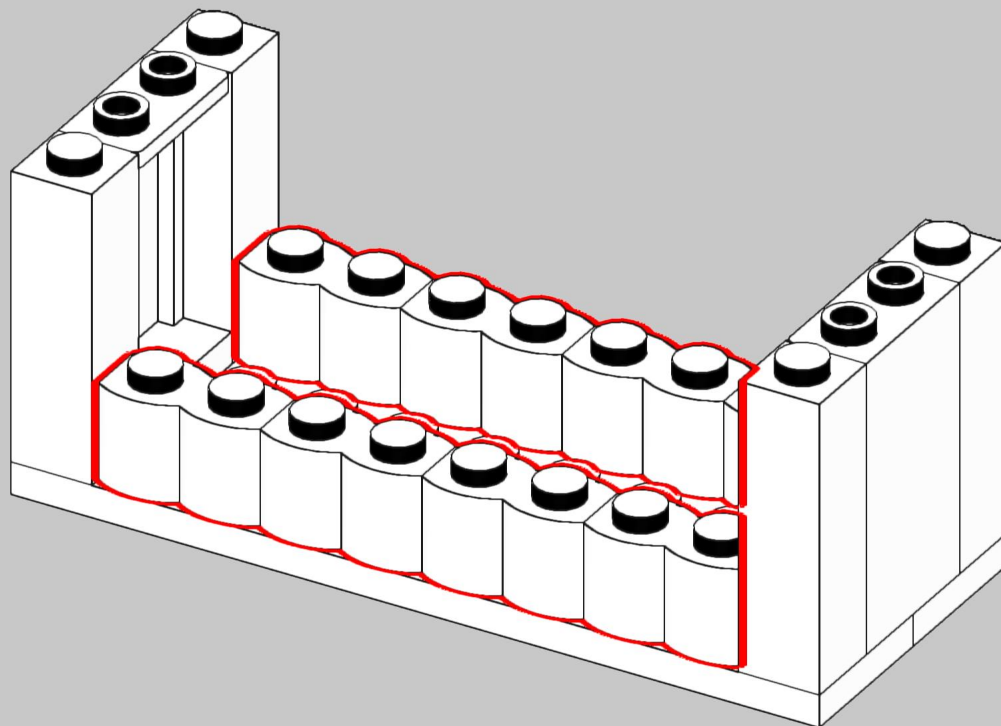
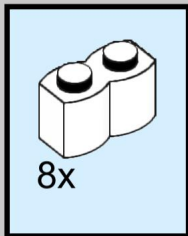
57



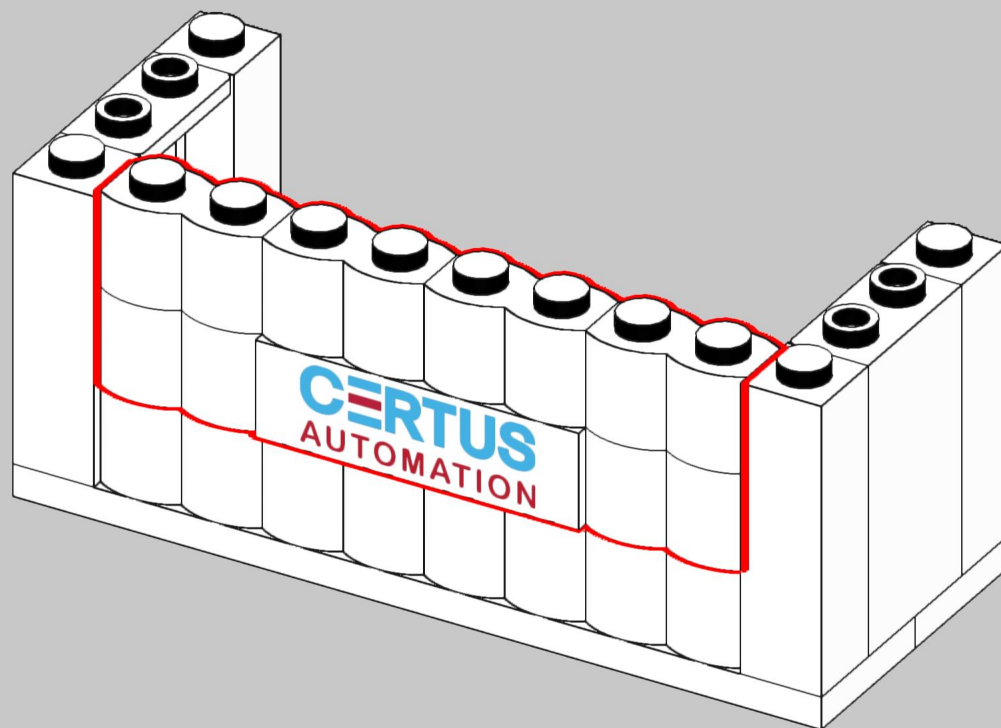
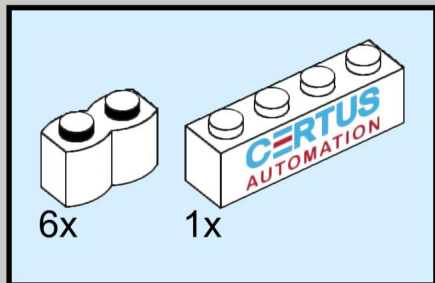
58



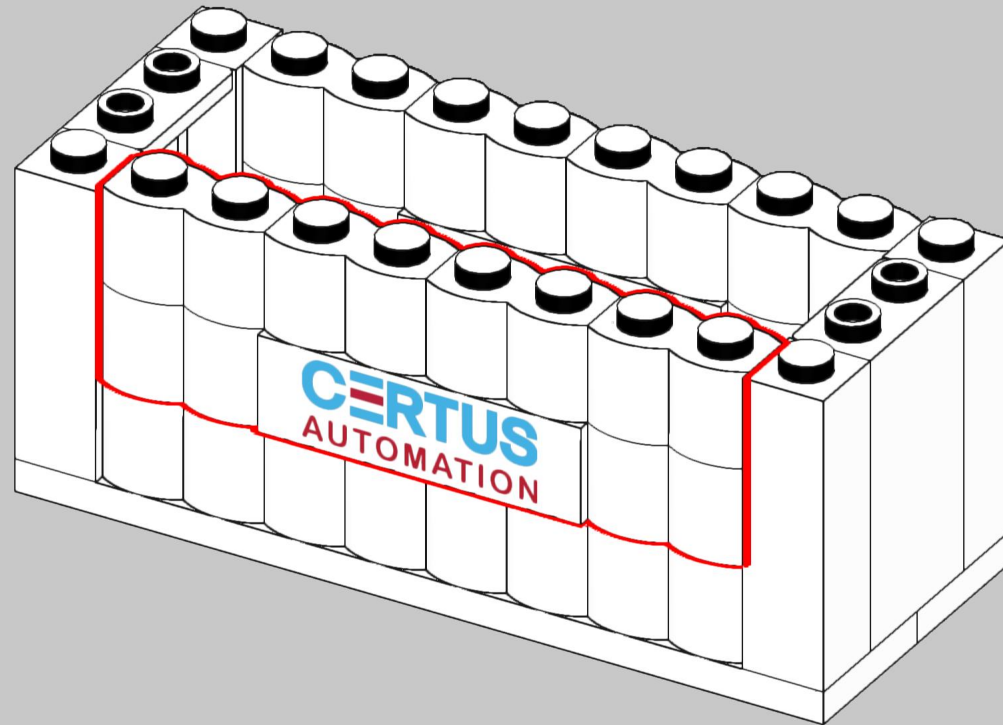
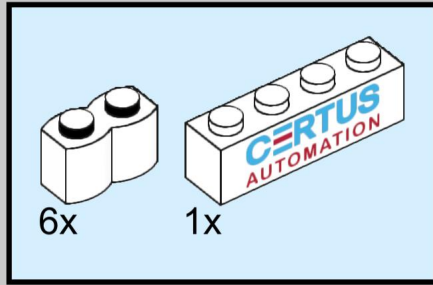
59



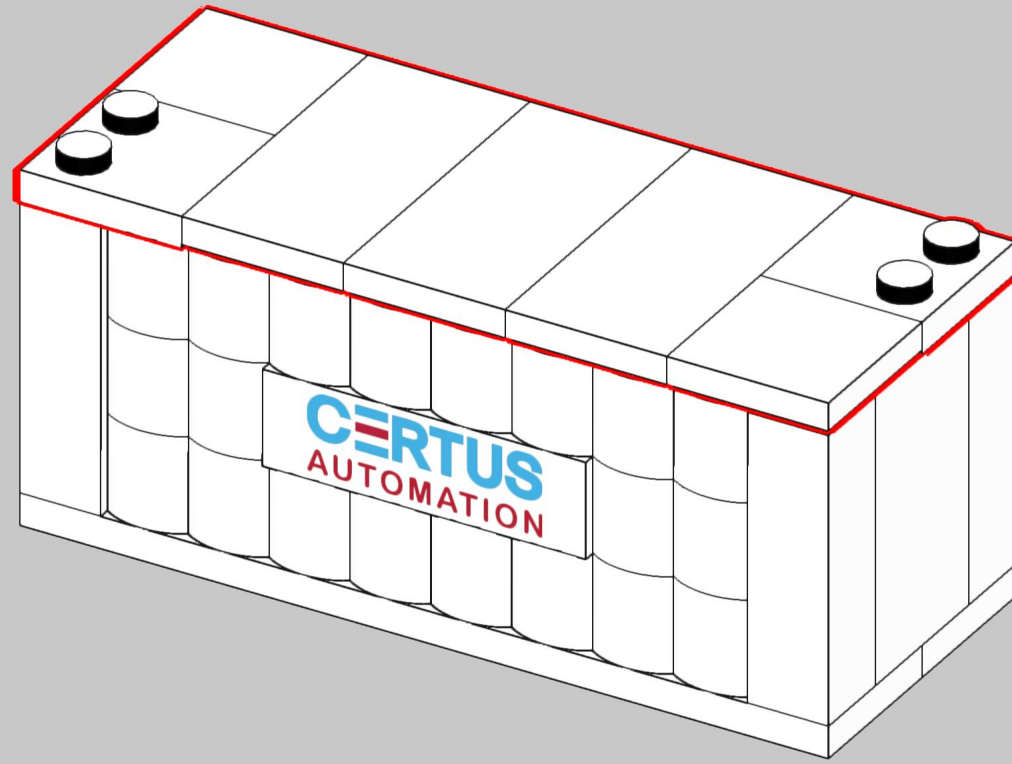
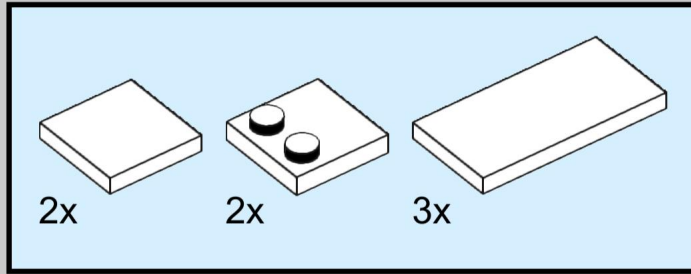
60



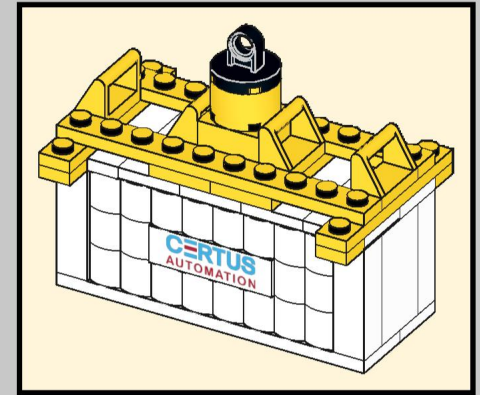
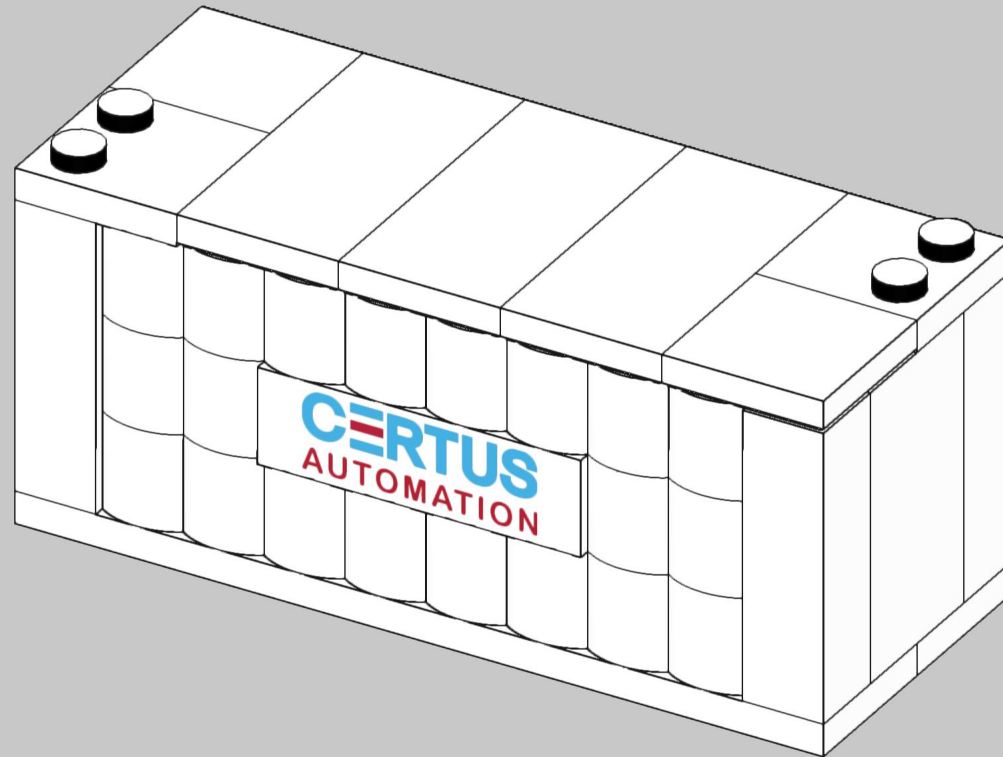
61



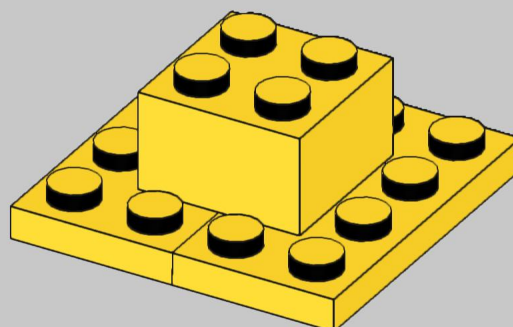
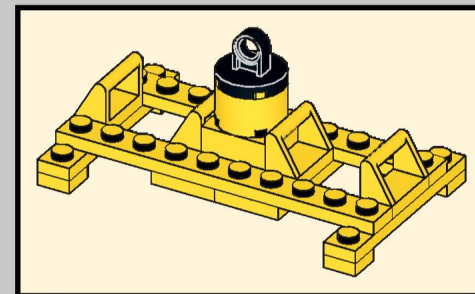
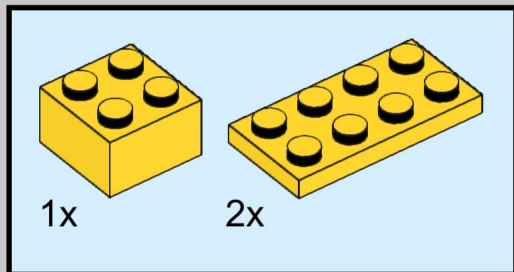
62



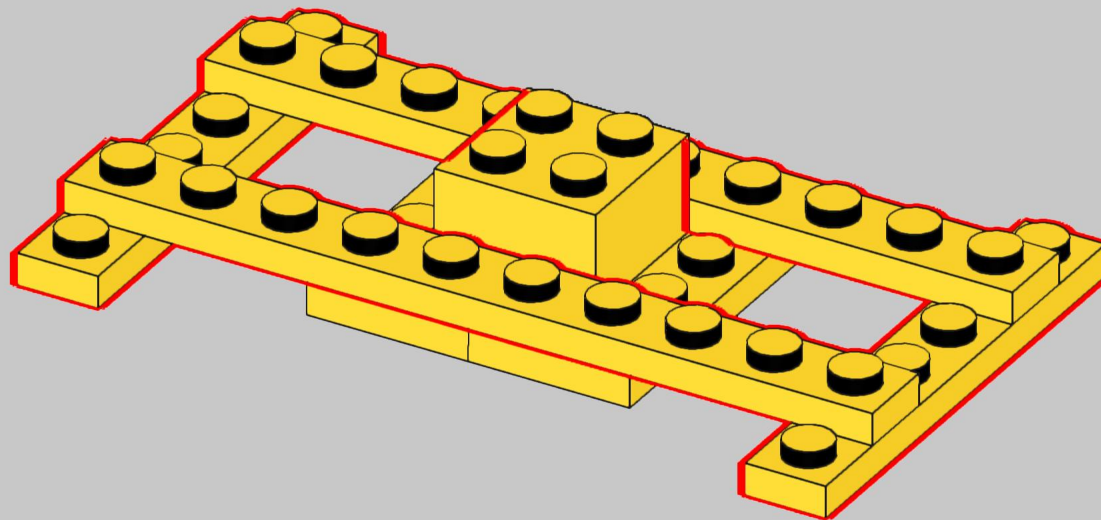
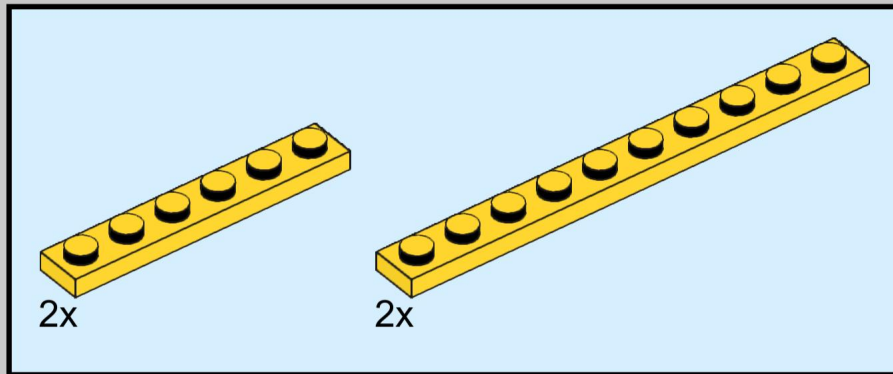
63



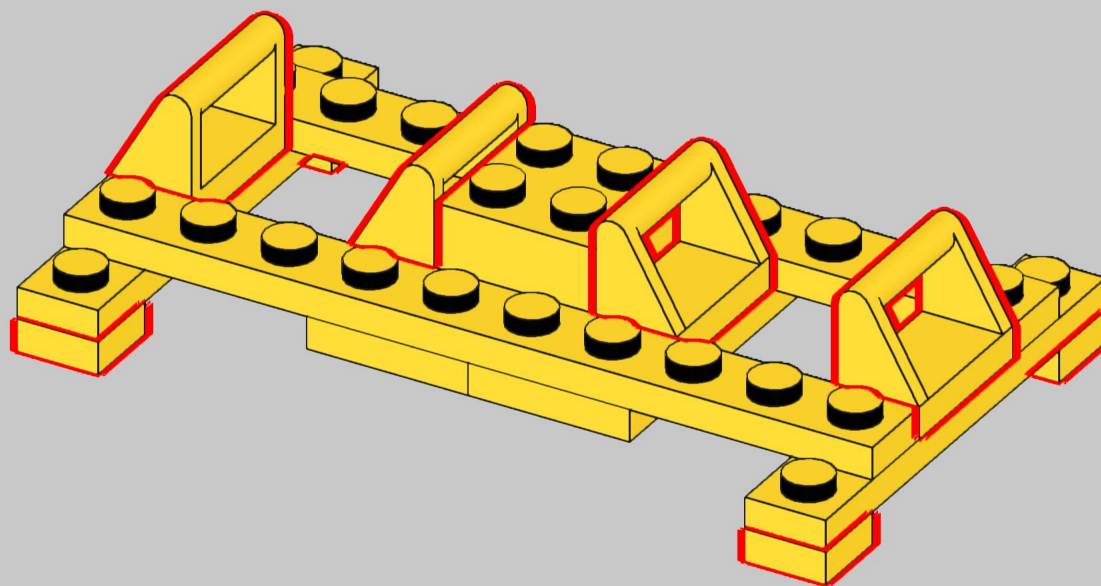
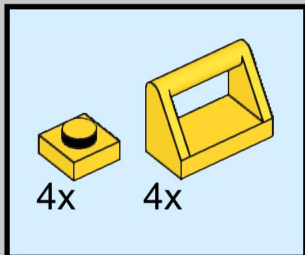
64



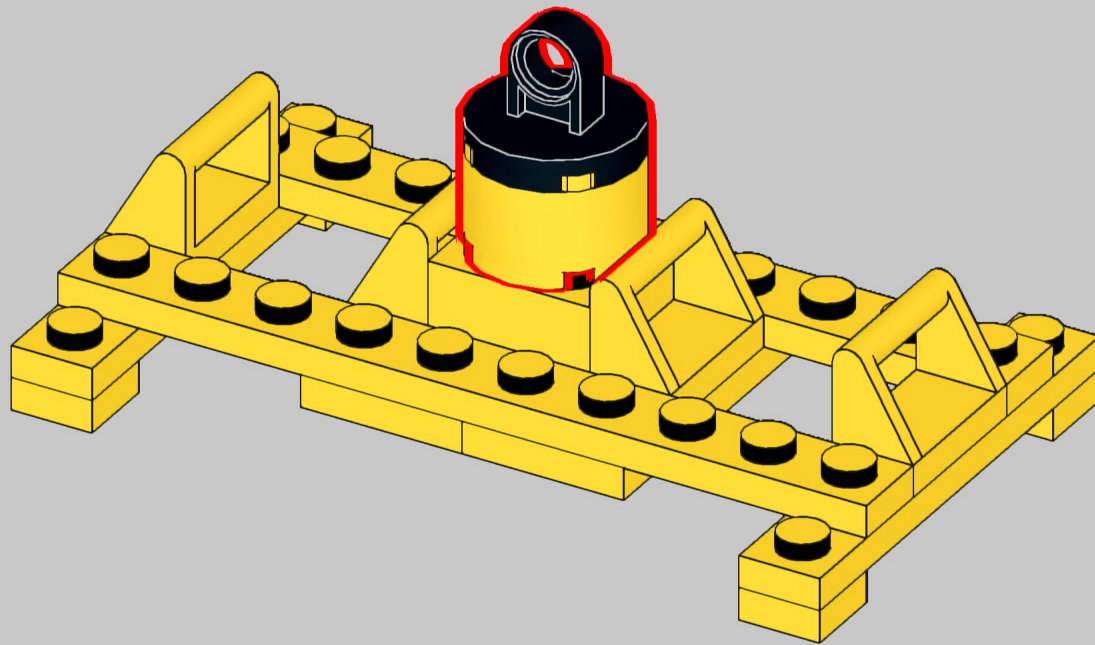
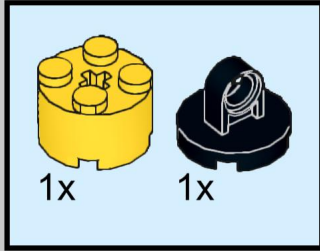
65



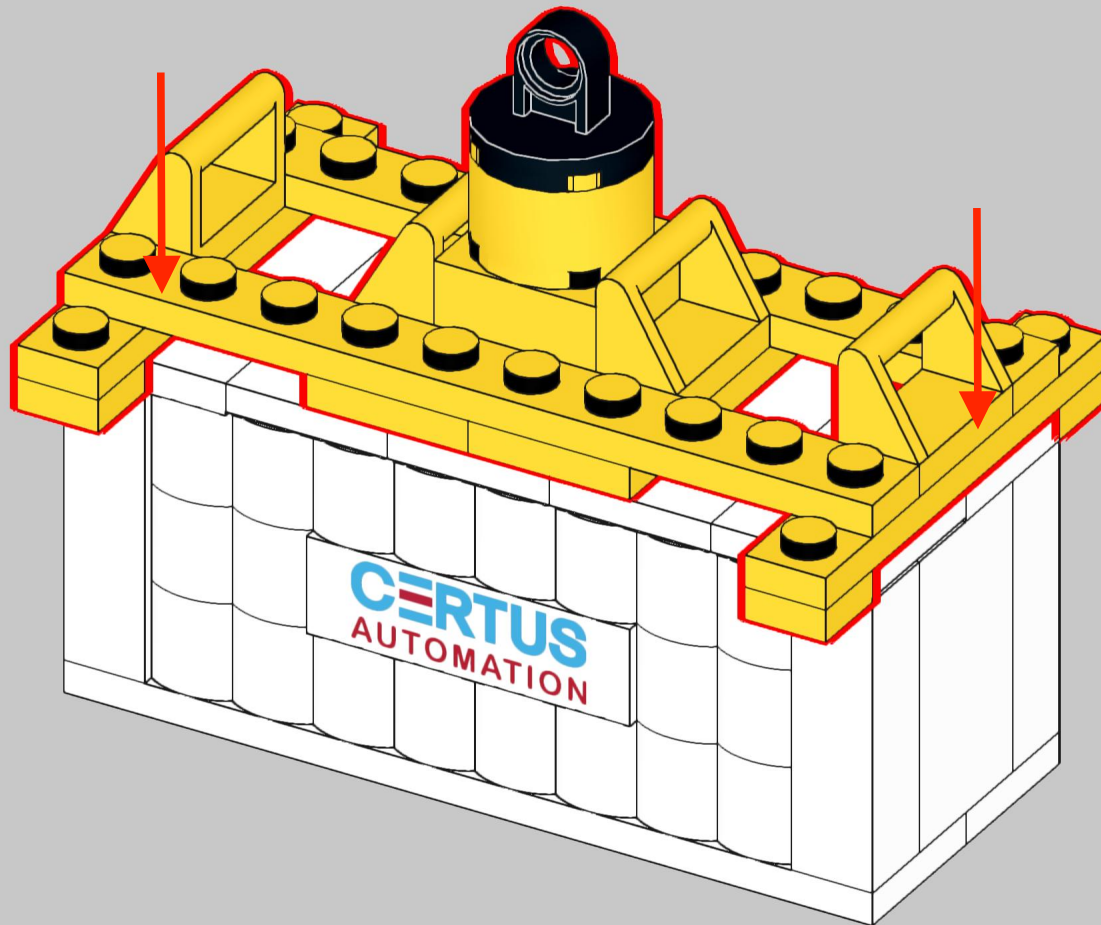
66



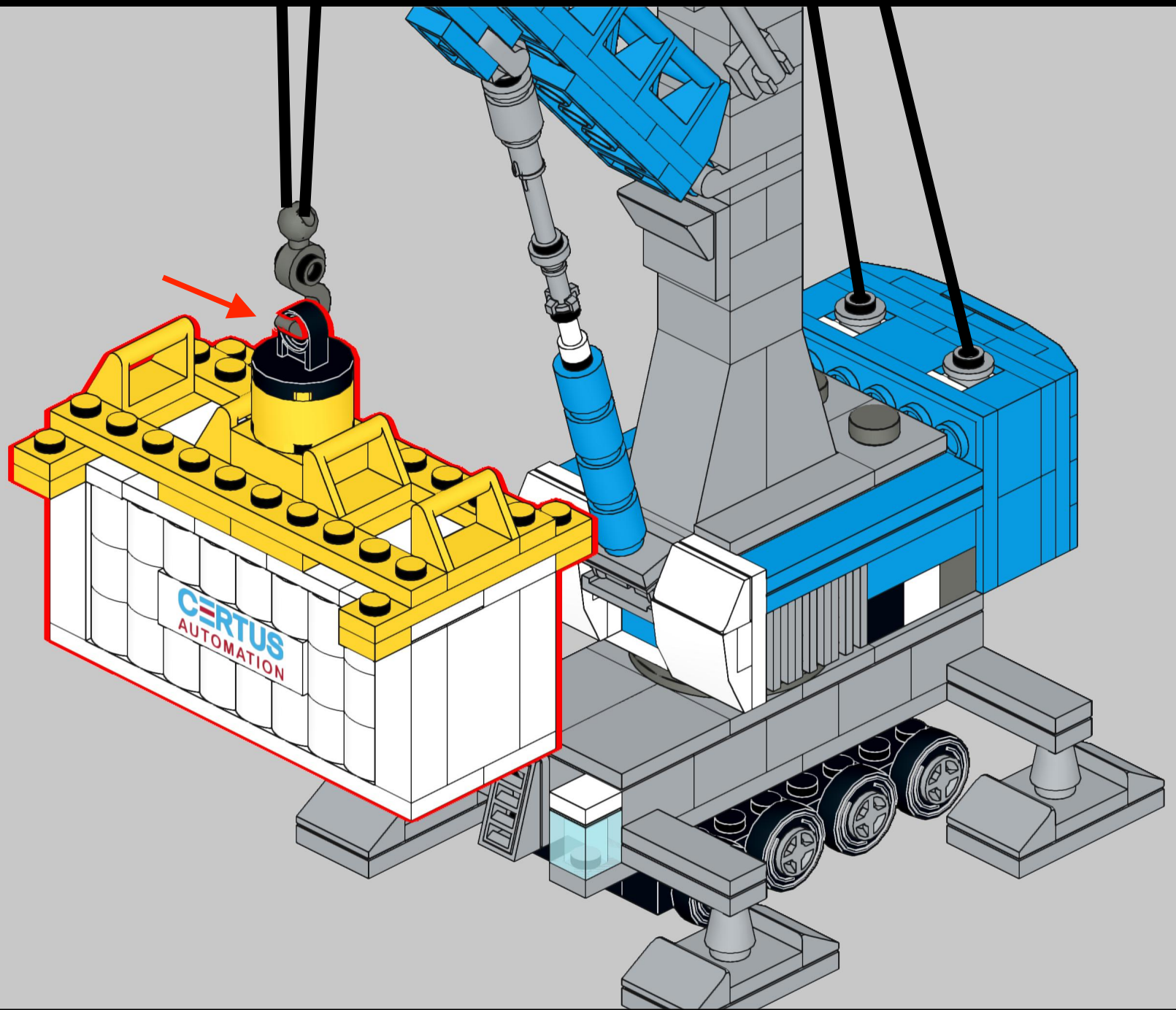
67



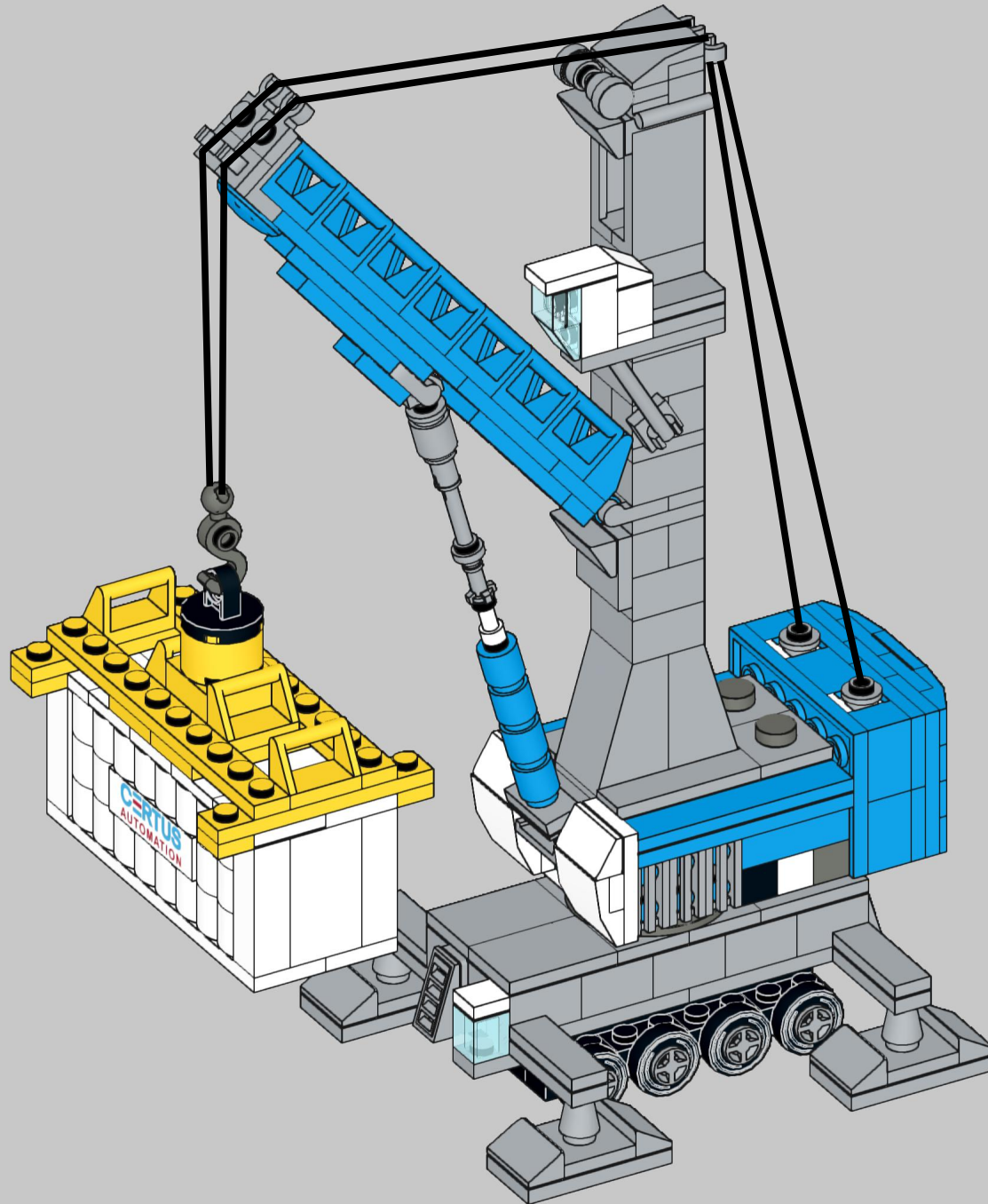
68



69



70





This custom LEGO set
is proudly brought to you by
WE LOVE WHAT YOU BUILD,
consisting of brand new bricks
parted out from LEGO sets